

www.mcbbearings.com

MCB

UNIVERSAL JOINT CATALOG



1

Year Limited

WARRANTY

*Terms and conditions apply

ABOUT MCB

Founded in 2002, MCB offers a wide range of quality and cost effective bearings, grease, as well as universal joint for the automotive, industrial, and agricultural sectors.

Licensed under MCB Bearings AB in Stockholm, Sweden, MCB brand continuously improves its aftermarket solutions using the latest manufacturing technology and the technical know-how of its Swedish engineers. With one year warranty, customers can expect machine efficiency, manpower safety, and value for money.



UNIVERSAL JOINT

Also known as U-joints, universal couplings, or Cardan joints, universal joints connect the drive shaft to the gearbox from one side and to the axle from the other side. Found in rear-wheel-drive vehicles, these are engineered to withstand angular misalignment and enable efficient transmission of rotary motion or torque.

Consisting of a cross-shaped spider with needle roller bearings on each side held in place by caps and circlips, universal joints prevent shaft breakage as they adapt to the upward and downward movement of the axle in connection with the gearbox.

Table of Contents

Types of Universal Joints	
• With 4 plain round bearings	1
• With 4 grooved round bearings	7
• With 2 grooved and 2 plain round bearings	10
• With 2 welded plate round bearings and 2 wing bearings	11
• With 4 welded plate round bearings and 1 wing bearings	
• With 2 wing bearings and 2 plain round bearings	12
• With 4 wing bearings	13
• Differential Spider	15
• With 4 slotted bearings (Round Plate)	15
• With 4 slotted bearings (Strip Bar)	16
Applications	
Japanese cars	
• Toyota	18
• Nissan	
• Mazda	19
• Mitsubishi	
• Hino	20
• Honda	
• Daihatsu	
• Isuzu	21
• Suzuki	
• Subaru	
Others	
Korean cars	23
Australian cars	
Chinese cars	24
Russian cars	25
American cars	26
European cars	27
European Trucks	
• Mercedes Benz	30
• Volvo	31
• Scania	32
• DAF	
• Iveco	
Agricultural Machineries	34

Types of

UNIVERSAL JOINT

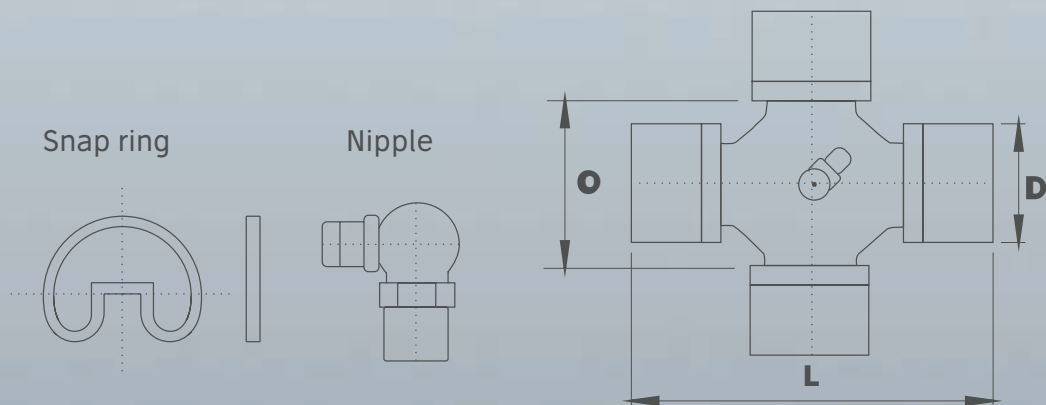


FIG	Part No.	D(mm)	O(mm)	L(mm)	Spicer	Precision	GMB	GKN	Alloy	Lempco
A	ST1337	13	-	37	-	-	-	-	-	-
A	ST1538	15	-	38	-	-	-	-	-	-
A	ST1539	15	-	39	-	-	-	-	-	-
A	ST1540	15	-	40	-	-	-	-	-	-
A	ST1638	16	-	38	-	-	-	-	-	-
A	SI 1639	16	-	39	-	-	-	-	-	-
A	ST1640	16	-	40	-	-	-	-	-	-
A	U126	16.05	-	40	ST1640	-	UJ126	-	-	-
A	ST1847	18	-	47	-	-	-	-	-	-
A	GUA-1	18	-	47	-	C01	-	H5108	-	-
A	GU1944	19	-	44	-	-	-	-	-	-
A	GU1948	19	-	48	-	-	-	-	-	-
A	GU300	19.04	-	51.98	-	-	-	HS119	-	-
A	GU350	19.04	-	51.98	-	-	-	HS120	-	-
A	GUA-2	19.05	-	52	5-170X	-	-	-	-	-
A	GUD81	20	-	55	4141-4120	-	UJ126	-	-	-
A	GUD86	20	-	55.1	04371-87501	-	-	-	-	-
A	GUT-11	20	-	57	04371-10011	T2057	UJ212	-	-	-
A	GUT-19	20	-	57	04371-10010	T2057	UJ222	-	-	-
A	U180	20	-	57	5-1500X	395	UJ180	-	-	-
A	GUDUMP1	20	-	57.5	KAWANISHI(S)	HM2058	UJ912	-	-	-
A	GUH69	20	-	58	45220-1060	-	-	-	-	-
A	GUS2	20.02	-	35	27100-67000	-	-	-	-	-
A	GUM92	20.02	-	55	MB000697	-	-	-	-	-
A	GUMZ-2	20.02	-	55	0180-25-060	TM2055	UJ412	-	-	-
A	GUN45	20.07	-	52.4	37125-H8500	-	-	-	-	-
A	GUS6	20.1	-	59.8	27200-60511	-	-	-	-	-
A	GUN44	20.5	-	56.5	37125-99000	-	UJ124	-	-	-
A	GUIS59	20.5	-	56.6	44135-060	-	UJ	-	-	-
A	GUA-4	22	-	54.8	-	812	GUA-4	HS132	-	-
A	5-31000X	22	-	55	5-31000X	-	-	-	-	W2100
A	GU1700	22	-	55.6	-	-	-	-	-	-
A	GU7800	22	-	59	-	-	-	-	-	-
A	GUDUMP3	22	-	62	KONGO	-	UJ910	-	-	-

With 4 plain round bearings



FIG	Part No.	D(mm)	O(mm)	L(mm)	Spicer	Precision	GMB	GKN	Alloy	Lempco
A	GUDUMP3	22	-	62	KONGO	-	UJ910	-	-	-
A	GU295	22	-	64	-	-	-	-	-	-
A	GUH03	22	-	65	44330-538-004	HD2265C	UJ810	-	-	-
A	GU296	22	-	67	-	-	-	-	-	-
A	GU1760	22	-	67.5	-	-	-	-	-	-
A	GUA-3	22	-	54.15	K5-A588	811	EG10/UJA-3	HS130	-	-
A	GUT-24	22.06	-	57.5	-	-	-	-	-	-
A	GUMZ-11	22.06	-	59.6	-	-	-	-	-	-
A	GUIS63	22.06	-	62.5	94207232-1	-	-	-	-	-
A	GUM85	22.06	-	62.5	MB00030	-	-	-	-	-
A	GU2100	22.21	-	62.1	-	-	-	-	-	-
A	5-2X	23.8	-	61.2	5-2X	-	-	-	-	-
A	5-101X	23.8	-	61.3	5-101X	340	GU400	HS150	-	-
A	5-111X	23.8	-	61.3	5-111X	341	GU500	HS194	1027	U-115
A	U040	23.8	-	61.3	5-101X/502X	340	UJ040	-	-	-
A	U050	23.8	-	61.3	5-102X/5-111X	341	UJ050	-	-	-
A	GU515	23.8	-	65.9	-	-	-	-	-	-
A	5-13400X	23.82	-	61.2	5-13400X	-	-	-	-	-
A	5-32000X	23.82	-	61.2	5-32000X	-	-	-	-	CZ122
A	GUIS56	23.82	-	61.2	9-37300-609	-	-	-	-	-
A	GU420	23.82	-	61.24	-	-	-	-	-	-
A	GU400	23.82	-	61.3	-	340	-	HS150	-	-
A	GU500	23.82	-	61.3	5-111X	341	-	HS194	-	-
A	GU5100	23.82	-	61.3	-	-	-	-	-	-
A	GU600	23.82	-	61.3	-	-	-	-	-	-
A	GUIS51	23.82	-	61.3	9-37300-017	12461	UJ313	-	-	-
A	GUIS61	23.82	-	61.3	9-37300-031	-	-	-	-	-
A	GUN26	23.82	-	61.3	37125-11975	N2461	UJ110	-	-	-
A	GUA-5	23.82	-	61.45	K5-A64	341AG	EG20	HS185	-	-
A	GUH66	23.82	-	65.96	6042-8409-00	H2466	UJ516	-	-	-
A	GU500-1	23.83	-	61.24	-	-	GU500-1	-	-	-
A	C737	23.84	-	61.2	-	-	-	-	-	-
A	30210/01.04.01	23.841	-	61.65	-	-	-	-	-	-
A	GU410	24	-	61.3	-	-	-	-	-	-
A	GU298	24	-	62.5	-	-	-	-	-	-
A	GU1670	24	-	63	-	-	-	-	-	-
A	GU200	24	-	63.31	-	-	-	-	-	-
A	GU299	24	-	74.5	-	-	-	-	-	-
A	297	24	-	78	-	-	-	-	-	-
A	GUMZ-12	24.06	-	71.6	-	-	-	-	-	-
A	GU7280/4	24.09	-	74.55	-	U728/4	-	-	-	-
A	GU207	24.09	-	74.55	-	-	-	-	-	-
A	GUA-6	24.9	-	72.1	-	-	-	-	-	-
A	GU720/730	25	-	56.9	-	-	-	-	-	-
A	GUD83	25	-	63.8	4123-4120	-	UJ219	-	-	-
A	GUM78	25	-	63.8	ST-0003	-	UJ619	-	-	-

FIG	Part No.	D(mm)	O(mm)	L(mm)	Spicer	Precision	GMB	GKN	Alloy	Lempco
A	GUM79	25	-	63.8	ST-0024	M2504	UJ616	-	-	-
A	GUM81	25	-	63.8	MB-00345	S2765	UJ625	-	-	-
A	GUMz-1/5	25	-	63.8	0136-25-060	TM2564A	UJ410	-	-	-
A	GUS7	25	-	63.8	27200-83010	-	-	-	-	-
A	5-1516X	25	-	76.5	5-1516X	399	GUM88	HS153	1016	-
A	GUM88	25	-	76.5	MB000776(0008)	-	-	-	-	-
A	GUM91	25	-	76.7	MB000948	M2576	-	-	-	-
A	GUDUMP2	25	-	77	KAWANISHI(L)	Hm2577	UJ911	-	-	-
A	GUN36	25	-	77.6	37125-4101	Np2578	UJ120	-	-	-
A	GUM76	25	-	77.8	13018-2120	M2578A	UJ614	-	-	-
A	GU750	25.03	-	60	-	-	-	-	-	-
A	GUM84	26	-	68	18433-51700	-	UJ623	-	-	-
A	GU7410	26	-	698.8	-	-	-	HS159	-	-
A	U080	26.94	-	61.85	5-310X	437G	UJ080	-	-	-
A	GU1200	26.97	-	74.61	-	-	-	-	-	-
A	GU700	26.99	-	61.86	5-315X	373	-	-	1007	-
A	K5-13XR	26.99	-	81.76	-	-	-	-	-	-
A	5-310X	27	-	61.9	5-310X	-	-	-	-	-
A	5-443X	27	-	61.9	5-443X	437G	G5-443X	HS197	-	-
A	GU800	27	-	61.9	-	-	-	-	-	-
A	U527	27	-	61.93	5-443X/5-310X	437	UJ527	HS197	-	-
A	GU1210	27	-	62	-	-	-	-	-	-
A	GUM77	27	-	65.3	ST-0008	S2765	UJ617	-	-	-
A	5-33000X	27	-	74.6	5-33000X	-	-	-	-	CZ127
A	GU1100	27	-	74.6	5-4X	344	-	HS195	-	-
A	K5L4R	27	-	74.6	-	-	-	-	-	-
A	U110	27	-	74.6	5-94X	344	UJ110	-	-	-
A	GU1780	27	-	80	-	-	-	-	-	-
A	GUK12	27	-	80	-	-	-	-	-	-
A	5-113X	27	-	81.7	5-113X	369	GU1000	HS166	-	-
A	5-121X	27	-	81.7	5-121X	369	GU1000	HS166	-	-
A	5-153X	27	-	81.7	5-153X	369	GU1000	HS166	1032	U-101HD
A	5-200X	27	-	81.7	5-200X	329/360	G5-121X	HS166	1001/5/1039	U-101/134
A	5-251X	27	-	81.7	5-251X	369	G5-251X	HS166	-	-
A	GU1000	27	-	81.7	5-153X	369	-	HS166	-	-
A	GUM73	27	-	81.75	GPQ18397	S2782	UJ620	-	-	-
A	GUN47	27	-	81.75	37125-25025	-	-	-	-	-
A	GUN48	27	-	81.75	37125-7F025	-	-	-	-	-
A	U100	27	-	81.8	5-153X/5-204X	329/521	UJ100	-	-	-
A	U225	27	-	81.8	5-153X/5-204X	369/521HD	UJ225	HS166	-	-
A	5-134X	27	-	92	5-134X	353	G5-134X	-	1034/41034	U-131
A	5-213X	27	-	92	5-21X	354	G5-213X	-	1040	U128
A	U227	27	-	92	5-130X/5-213X	354	UJ227	-	-	-
A	U229	27	-	81.71/92.01	5-134X	353	UJ229	-	-	-
A	5-4X	27.01	-	74.6	5-4X	344	GU1100	HS195	1021	U100

With 4 plain round bearings



FIG	Part No.	D(mm)	O(mm)	L(mm)	Spicer	Precision	GMB	GKN	Alloy	Lempco
A	GUA-7	27.02	-	70.15	K5-A590	813	Eg30	HS168	-	-
A	GUA-8	27.02	-	74.8	K5-LGB36R	344AG	Eg40	HS186	-	-
A	GUSR-3	28	-	52.6	6232-4300	-	-	-	-	-
A	GUD82	28	-	80	4610-4120	D2880	UJ220(225)	-	-	-
A	GUD87	28	-	80	04371-87303	-	-	-	-	-
A	GUD84	28.01	-	80	04371-87301	D2880A	-	-	-	-
A	5-1509X	28.5	-	77.7	5-1509X	396	GUT14	HS172	-	-
A	GUM86	28.5	-	77.9	MT047756	M2978	UJ615	-	-	-
A	GUT-14	28.5	-	77.9	04371-60010	T2978	UJ214	-	-	-
A	5-129X	28.6	-	66.5	5-129X	880	GGPL-14R	AM-14R	-	-
A	GU290	28.6	-	75	-	-	-	-	-	-
A	GUA-9	29	-	80	-	-	-	-	-	-
A	GUM87	30	-	78.2	MB000119	-	UJ627	-	-	-
A	GUA-10	30	-	81.7	-	-	-	-	-	-
A	GU7420	30	-	81.8	-	-	-	-	-	-
A	GUN30	30.17	-	90.1	37125-85461	N3092	UJ115	-	-	-
A	5-1205X	30.17	-	92.1	5-1205X	-	-	-	-	-
A	GUKO-17	30.18	-	92.05	380-154081-1	-	-	-	-	-
A	5-178X	30.19	-	92.08	5-178X	331	GU2200	HS182	1751/1078	U-102
A	GU2200	30.19	-	92.08	5-178X	331	-	HS182	-	-
A	5-10X	30.18	-	106.3	5-10X	330	GU2050	HS179	1807	-
A	5-160X	30.19	-	106.4	5-160X	330	GU2000	HS179	1750	-
A	GU2050	30.18	-	106.3	5-160X	330	-	HS179	-	-
A	K5GB10R	30.19	-	106.4	-	-	-	-	-	-
A	U200	30.2	-	106	5-160X	330	UJ200	-	-	-
A	GUA-11	30.22	-	80.15	K5-A590	815	EG50	HS198	-	-
A	GUA-12	30.22	-	92.2	K5-LGB182	331AG	EG60	HS182	-	-
A	GUA-13	30.22	-	106.7	K5-A536	330	EG70	HS179	-	-
A	U220	31.2	-	92	5-178X	331	UJ220	-	-	-
A	GU2600	31.25	-	71.4	-	-	-	-	-	-
A	5-243X	31.7	-	81.4	5-243X	964	GGPL-35R	HS202	1781	-
A	U979	31.77	-	81.45	5-243X	964	UJ979	-	-	-
A	GUM75	31.8	-	102	-	-	-	-	-	-
A	GUA-14	32	-	75.9	-	814	-	HS204	-	-
A	5-3400X	32	-	76	5-3400X	-	-	-	-	Cz140
A	GU2010	32	-	106.3	-	-	-	-	-	-
A	GUIS66	33	-	93	5-37300-032-0	-	-	-	-	-
A	5-431X	33.3	-	67.4	5-431X	888	GGP-44R	-	-	-
A	GUA-15	34	-	90	-	816	-	-	-	-
A	GUT-15	34	-	107	04371-55011	T34107	UJ216	-	-	-
A	U230	34.9	-	106.1	5-188X/5-263X	351	UJ230	-	-	-
A	5-188X	34.9	-	106.3	5-188X	351	UJ2300	HS263	1756	U120
A	GU2300	34.9	-	106.3	5-188X	351	-	HS263	-	-
A	SPL70-1X	34.9	-	126.1	-	CZ256	-	-	-	-
A	5-155X	34.9	-	126.2	5-155X	358	G5-155X	HS275	1805	U-132
A	5-263X	34.9	-	126.2	5-263X	351	G5-263X	HS263	-	-

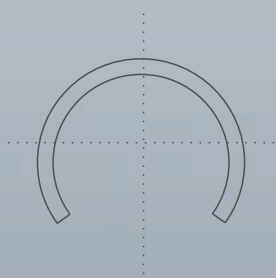
FIG	Part No.	D(mm)	O(mm)	L(mm)	Spicer	Precision	GMB	GKN	Alloy	Lempco
A	5-275X	34.9	-	126.2	5-275X	358	G5-275X	HS275	-	-
A	GUA-19	34.92	-	106.5	-	-	-	-	-	-
A	U952	34.92	-	126	5-155X	-	UJ952	-	-	-
A	U952	34.92	-	126	5-275X	-	UJ952	-	-	-
A	U952	34.92	-	126	4101931	-	UJ952	-	-	-
A	GU7430	35	-	96.8	-	U743	-	HS222	-	-
A	GUIS62	35	-	103.92	1373000130	1351041	-	-	-	-
A	U525	35	-	103.92	GUIS62	461	UJ525	-	-	-
A	GUA-17	35	-	106.5	K5-A538	351AG	EG80	HS183	-	-
A	GUH63	35.01	-	99	3-331-3403-01	H3599	UJ514	-	-	-
A	GUN32	35.5	-	119.2	37125-58026	N36119	UJ117	-	-	-
A	5-35000X	36	-	89	5-35000X	-	-	-	-	-
A	GUA-20	36	-	89	-	817	-	HS230	-	-
A	GUM72	36	-	104	13518-22000	M36104	UJ613	-	-	-
A	GUH65	36	-	110.3	3-445-3034-04	H36110	UJ515	-	-	-
A	GUH74	36	-	115.6	37401-1100	-	-	-	-	-
A	GUM82	38	-	104	13501-11010	M38104	UJ624	-	-	W2500
A	GU7440	38.01	-	105.6	-	U744	-	HS236	-	-
A	GUKO-16	38.91	-	109.4	380-154073-1	UJK35106	-	-	-	-
A	GU3850	39	-	127	-	-	-	-	-	-
A	U350	39.6	-	115.8	-	-	UJ350	-	-	-
A	GU3500	39.67	-	115.4	5-15X	370	-	HS176	-	-
A	5-115X/5-15X	39.68	-	115.42	5-115X/5-15X	332	UJ332P	-	-	-
A	5-15X	39.68	-	115.42	5-15X	370	GU3500	HS176	-	-
A	GU3000	39.69	-	115.95	-	-	-	-	-	-
A	GUIA-18	39.7	-	115.8	-	-	-	-	-	-
A	GUIS64	40	-	115	1-37300-047-0	-	-	-	-	-
A	U526	40	-	115	GUIS64	462	UJ5266	-	-	-
A	KC2832ADW	40	-	115.6	-	-	-	-	-	-
A	GUT-16	40	-	118	04371-55020	T40119	UJ215	-	-	-
A	GUT-22	40	-	118	04371-55021	-	-	-	-	-
A	U189	40	-	118	GUT16	-	U189	-	-	-
A	GUH60	40.2	-	115	37401-1172	-	-	-	-	-
A	GUA-21	41	-	118	-	-	-	-	-	-
A	5-165X	41.2	-	142	5-165X	359	G5-165X	HS252	1801	U-133
A	S-E129	41.27	-	126	-	-	-	-	-	-
A	SPL90-1X	41.28	-	126	-	CZ271	-	-	-	-
A	GU4470	42.12	-	104.5	-	U447	-	-	-	-
A	GUN33	43	-	128	37125-99901	ND43128	UJ119	-	-	-
A	U380	44	-	126	22860300/232458	-	UJ380	-	-	-
A	GU3800	44	-	126.2	-	-	-	HS255	-	-
A	KC2932ADW	44	-	129	-	-	-	-	-	-
A	U384	44	-	149	5-12276X/264043	-	UJ384	-	-	-
A	5-12276X	44.1	-	149	5-12276X	-	-	-	-	-
A	GU7530	45	-	120.4	-	-	-	HS260	-	-
A	U753/U932	45	-	120.4	5-1210X	-	UJ753	-	-	-

With 4 plain round bearings



FIG	Part No.	D(mm)	O(mm)	L(mm)	Spicer	Precision	GMB	GKN	Alloy	Lempco
A	U753/U932	45	-	120.4	3044100031	-	UJ753	-	-	-
A	5-12100X	45	-	130	5-12100X	-	-	-	-	-
A	GU7490	45.04	-	118.1	-	-	-	-	-	-
A	GU7540	45.04	-	121.6	-	-	-	-	-	-
A	GUIS65	45.98	-	136	1-37300-004-0	-	-	-	-	-
A	GU9730	48	-	116.4	-	-	-	HS271	-	-
A	GU7650	48	-	126	-	U765	-	-	-	-
A	U765	48	-	126	5-12219X	-	UJ765	-	-	-
A	U765	48	-	126	3814100231	-	UJ765	-	-	-
A	U948	48	-	161	5-12062X/337059	-	UJ948	-	-	-
A	GU7670	48.03	-	116.5	-	U767	-	-	-	-
A	5-12219X	48.05	-	125.8	5-12219X	-	GU7620	HS272	-	-
A	GU7620	48.05	-	125.8	-	U762	-	HS272	-	-
A	5-12062X	48.05	-	160.9	5-12062X	-	-	HS268	-	-
A	PSL140-1X	49.22	-	139	-	-	-	-	-	-
A	GU8110	50	-	131	-	-	-	HS278	-	-
A	U381	50	-	152.6	1651032	-	UJ381	-	-	-
A	GU3810	50	-	152.6	-	-	-	-	-	-
A	GU7390	50	-	153.8	-	-	-	-	-	-
A	GUH64	50	-	159	3-302-3403-06	H50159	UJ513	-	-	-
A	5-12278X	50	-	164	5-12278X	-	-	-	-	-
A	U388	50	-	164	5-12278X	-	U388	-	-	-
A	U765	52	-	133	5-12924X/0004100531 /3354100031	-	UJ756	-	-	-
A	5-12924X	52	-	133	5-12924X	-	GU7560	HS282	-	-
A	GU7560	52	-	133	-	U756	-	HS282	-	-
A	GU7600	52	-	147	-	-	-	-	-	-
A	WLD-52	52	-	148	-	-	-	-	-	-
A	GU7610	53	-	135	-	U761	-	HS284	-	-
A	U761	53	-	135	0004100231/6204100131 /9424100131	-	UJ761	-	-	-
A	SPL170-1X	55	-	165	-	-	-	-	-	-
A	S-F365	55.03	-	164	S-E358	-	-	-	-	-
A	5-185X	55.6	-	205.6	-	-	-	-	-	-
A	5-12072X	56.9	-	162.9	5-12072X	-	-	-	-	-
A	GU8130	57	-	144	-	U813	-	HS288	-	-
A	U813	57	-	144	232540	UJ813	-	-	-	-
A	5-12932X	57	-	152	5-12932X	-	GU7630	HS289	-	-
A	GU7630	57	-	152	-	U763	-	HS289	-	-
A	U763	57	-	152	5-12932X/3874100031	-	UJ763	-	-	-
A	U990	57	-	152.5	1651229	-	UJ990	-	-	-
A	U954	57	-	164	5-12072X/337060	-	UJ954	-	-	-
A	GU2409	59	-	167.5	-	-	-	-	-	-
A	SPL250-1X	60	-	163	-	-	-	-	-	-
A	GU9732	60	-	181	-	-	-	-	-	-
A	S-F366	60.03	-	162	S-E359	-	-	-	-	-
A	JH62160	62	-	160	-	-	-	-	-	-
A	JH62170	62	-	170	-	-	-	-	-	-
A	U982	65	-	172	6454100131	-	UJ982	-	-	-
A	924	65	-	190	386073	-	UJ924	-	-	-
A	5-316X	65.1	-	144.4	5-316X	-	-	-	-	-

Snap ring



Nipple

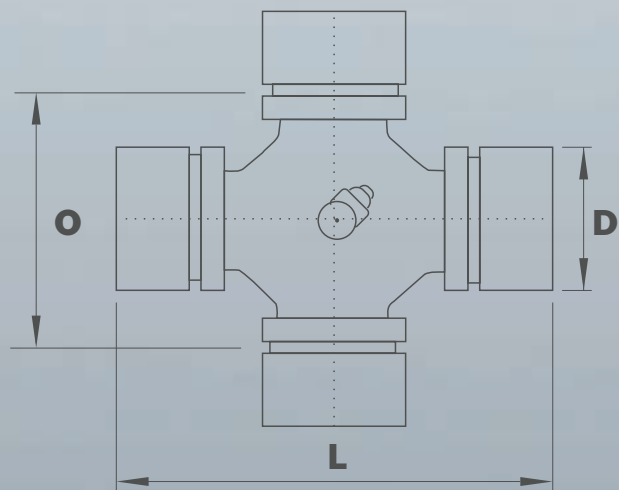
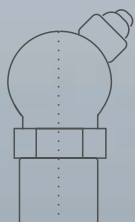


FIG	Part No.	D(mm)	O(mm)	L(mm)	Spicer	Precision	GMB	GKN	Alloy	Lempco
B	5-1500X	20	34.7	56.6	5-1500X	392/5	GUN28/11	HS124	1049	U-700
B	U181	20	35	56.8	-	392	UJ182	-	-	-
B	GUN28	20.01	34.7	56.8	37125-18025	N2057	UJ112	-	-	-
B	RUJ1780	20.02	34.7	56.8	5-1500X	-	HS124	-	-	-
B	GUM95	22	37.3	60	-	-	-	-	-	-
B	5-1514X	22.5	34	56.3	5-1514X	385	-	-	-	-
B	GUD88	22.5	34.7	57	04371-87503	-	UJ226	-	-	-
B	GUMZ-10	22.5	35	57	3919 39-251	-	UJ418	-	-	-
B	GUSR-2	23	44.6	-	6234-00020	F2064	UJ150	-	-	-
B	5-170X	23.8	34.8	59.4	5-170X	338	G5-170X	HS410	1783	-
B	5-103X	23.8	35	59.4	5-103X	338	G5-103X	HS410	-	-
B	U153	23.8	35	59.4	5-170X	338	UJ153	-	-	-
B	5-92X	24.6	34.36	58.5	5-92X	861	GGPL-6R	HS416	1777	-
B	U156	24.64	33.7	58.5	5-92X	861	UJ156	-	-	-
B	5-1503X	25	39.8	64	5-1503X	-	-	-	-	-
B	5-1501X	25	40	64	5-1501X	391	GUN27	HS420	1052	U-701
B	GUN27	25	40	64	37125-14627	N2563	UJ111	-	-	-
B	U182	25	40	64	5-1501X	391	UJ182	-	-	-
B	GUS1	25	40.2	64	27200-58833	SZ2564TR	UJ700	-	-	-
B	5-1504X	25	41.2	64	5-1504X	397	GUMZ7	-	1059	-
Li	GUMZ-7	25	41.2	64	0259-25-060	TM2564B	UJ413	-	-	-
B	GUN34	25	52	80	37125-76025	N2580	UJ113	-	-	-
B	RUJ1781SL	25.02	40	64	5-1501X	GUN27	HS420	-	-	-
B	GUSR-4	25.1	40	64	6220-32000	-	-	-	-	-
B	RUJ1786	25.4	38.5	63.6	5-105X	G5-105X	-	-	-	-
B	5-105X	25.4	39.5	65.4	5-105X	514G	G5-105X	-	1023/1061	U-115236G
B	5-100X	25.4	39.5	63.6	5-100X	514	G5-105X	-	1056	-
B	5-2011X	25.4	55	81.4	5-2011X	507	GU6200	HS430	1784/1071	U218
B	Gu6200	25.4	55	81.4	5-2011X	507	-	HS430	-	-
B	RUJ2030	25.4	55	81.4	5-2011X	Gu6200	HS430	-	-	-
B	5-1502X	26	41.7	66.8	5-1502X	394	GUT13	HS432	1053	U-702
B	RUJ1776SL	26	41.76	66	5-1502X	GUT13	HS432	-	-	-

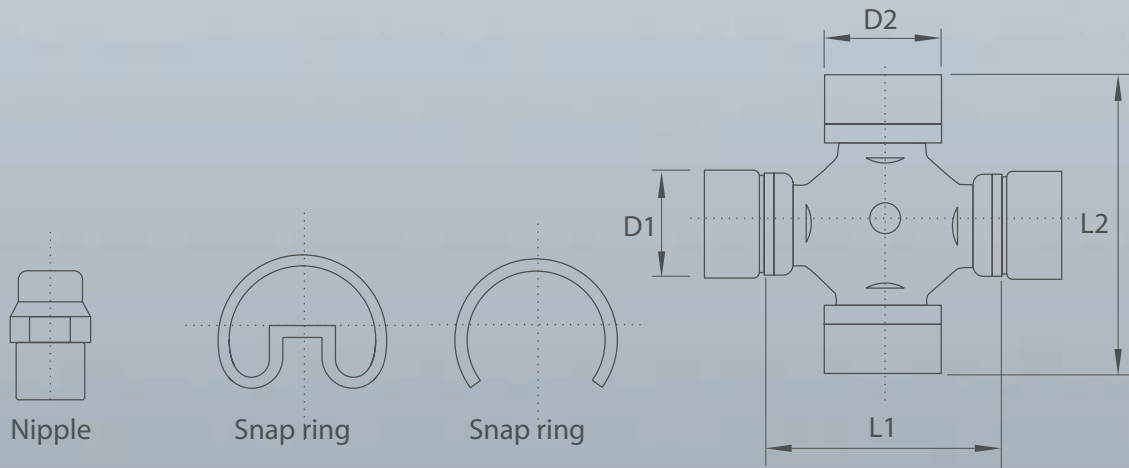
With 4 grooved round bearings



FIG	Part No.	D(mm)	O(mm)	L(mm)	Spicer	Precision	GMB	GKN	Alloy	Lempco
B	GUT13	26	42	66	04371-20010	T2667A	UJ211/221	-	-	-
B	GUT-13	26	42	66	04371-20010	T2667	UJ211	-	-	-
B	GUN38	26	45.6	-	37125-68200	-	UJ121	-	-	-
B	5-1508X	26	53.6	80	5-1508X	390	GUT12	HS436	1058	U-701
B	GUT-12	26	53.6	80	04371-30011	T2680C	UJ210	-	-	-
B	U193	26	53.6	80	5-1508X/GUT12	-	UJ193	-	-	-
B	RUJ2016	26.03	53.64	80	5-1508X	GUT12	HS436	-	-	-
B	GUMZ-9	26.5	48	71	1757-89-251	-	UJ417	-	-	-
B	K1513	26.52	48	71	-	-	-	-	-	-
B	Gu1020	26.97	52.45	81.8	-	-	-	-	-	-
B	5-456X	27	38.3	62.38	5-456X	-	-	-	-	-
B	5-242X	27	41.8	63.6	5-242X	995	GGPL-12R	HS441	1779	-
B	GUN46	27	45.9	70.2	37126-01G25	-	UJ102	-	-	-
B	U102	27	52.44	81.8	5-206X	356/365	G5-260X	-	-	-
B	5-260X	27	52.5	81.76	5-260X	365	G5-260	HS162	1048	-
B	5-74X	27	52.5	81.8	5-74X	356	G5-1201X	HS448	1025	U-130
B	5-1201X	27	55.5	81.6	5-1201X	430	G5-350X	-	1011	U-311
B	5-350X	27	56.8	81.8	5-350X	366	UJ233	-	1006	U-140
B	U233	27	57.3	81.8	-	429	G5-1200X	-	-	-
B	5-1200X	27	57.4	81.7	5-1200X	429	G5-1203X	-	10101131	U-310
Li	5-1203X	27	67.6	92	5-1203X	433	G5-273X	-	1012	U-315
B	5-273X	27	67.6	92	5-273X	433	UJ226	-	-	-
B	U226	27	67.6	92	5-1203X	433	UJ258	-	-	-
B	U258	27.38	50.88	79	5-1306X	315G	-	-	-	-
B	5-1307X	27.4	50.88	79	5-1307X	-	G5-1306X	HS442	1019	U-452
B	5-1306X	27.4	50.8	79	5-1306X	315G	-	-	-	-
B	RUJ2038	27.4	50.92	79	-	-	-	-	-	-
B	Gu1720	28	48	76	-	-	GUN29	HS448	1051	U-704
B	5-1505X	28	52.9	80	5-1505X	393	UJ114	-	-	-
B	GUN29	28	53	80	37125-21025	N2880BA	-	-	-	-
B	K1507	28	55.6	80	-	-	UJ415	-	-	-
B	GUMZ-6	28	56	80	0706-89-251	TM2880	HS448	-	-	-
B	RUJ2028	28.02	52.9	80	5-1505X	GUN29	-	-	-	-
B	GUD85	28.5	60.1	92	04371-87302	D2992	UJ961	-	-	-
B	U961	28.57	65.1	92	5-3147X	534G	UJ961	-	-	-
B	U961	28.57	65.1	92	5-3147X	534G	-	-	-	-
B	5-2532X	28.6	49	82.4	5-2532X	513	-	HS453	-	-
B	5-3011X	28.6	59.5	92	5-3011X	492	UJ247	-	-	-
B	U247	28.6	61.66	92	5-1309X	316	G5-1309X	-	1020	U-451
B	5-1309X	28.6	63.9	92	5-1309X	316	UJ245	-	-	-
B	U245	28.6	65.1	92	-	492/534	-	-	-	-

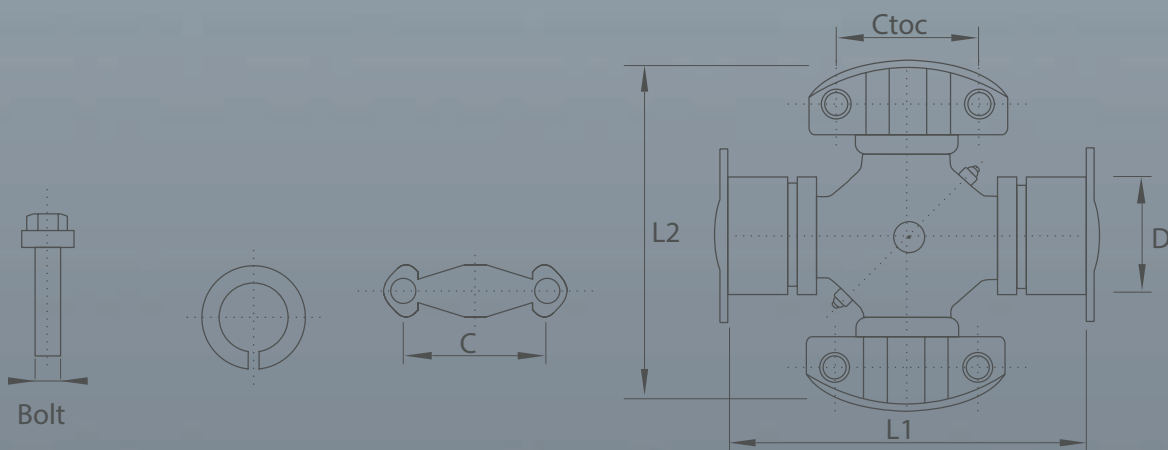
FIG	Part No.	D(mm)	O(mm)	L(mm)	Spicer	Precision	GMB	GKN	Alloy	Lempco
B	5 1510X	29	49	76.4	5-1510X	387	GUT17	HS454	1017	-
B	GUT-17	29	49	76.4	04371-30020	T2977	UJ230	-	-	-
B	GUT-21	29	49	76.4	04371-35020	-	UJ230	-	-	-
B	GUT-23	29	49	76.4	04371-35030	-	-	-	-	-
B	RUJ2100	29	49	76.4	5-1510X	GUT17	HS454	-	-	-
B	U925	29	49	76.4	GUT21	-	UJ925	-	-	-
B	GU1S52	29	50	76	9-37300-065	12976	UJ314	-	-	-
B	U927	29	50	76	5-1515X/GU1S52	-	UJ927	-	-	-
B	GU7290	29.52	51.6	-	-	-	-	-	-	-
B	GUD89	30	55.1	85	04371-87304	-	-	-	-	-
B	GUM93	30	55.1	85	MB000267	S32102A	-	-	-	-
B	GU2560	30	57	-	-	-	-	-	-	-
B	U319	30.17	52.4	81.8	5-297X	371	UJ319	-	-	-
B	U317	30.17	76.2	106.3	5-1206X	427	317	-	-	-
B	5-1206X	30.18	76.2	106.3	5-1206X	427	G5-1206X	-	-	-
B	5-297X	30.2	52.5	81.8	5-297X1	371	G5-297X	HS457	1758/1761	-
B	GU1740	31	45.1	76.2	-	-	-	-	-	-
B	5-1300X	31.2	46	78	5-1300X	305	GU2500	-	1090	U-415
B	GU2500	31.25	46	78	5-1300X	-	-	-	-	-
B	U256	31.27	71.5	103.4	5-1301X	304	UJ266	-	-	-
Li	5-1301X	31.3	71.5	103.4	5-1301X	304	G5-1301X	-	1740	U-453
B	GUMZ-3/4	32	57	92	0164-25-060	TM3293	UJ414	-	-	-
B	U962	32	60.85	91.6	GUT20	389	UJ962	-	-	-
B	5-1511X	32	61	91.6	5-1511X	389	GUT20	HS470	-	-
B	GUT-20	32	61	91.6	04371-36021	T32921	UJ234	-	-	-
B	GUN25	32	65	100	37125-01J25	-	-	-	-	-
B	GUN25	32	65	100	37125-01J25	-	-	-	-	-
B	RUJ3007	32	65	100	-	-	-	-	-	-
B	SES01K	34.092	72.2	91.6	-	-	-	-	-	-
B	5-332X	34.9	76.2	106.3	5-332X	-	-	-	-	-
B	GUMZ-8	37	67	104	0727-25-060	TM37104	UJ416	-	-	-
B	U730	38	56.5	101	5-12213X	-	UJ730	-	-	-
B	GU7300	38	57.2	101	5-1506X	U730 463	-	HS480	-	-
B	5-1506X	38	57.2	101	5-1506X	463	GU7300	HS480	-	-
B	5-12213X	38.1	57	101	5-12213X	-	-	-	-	-
B	GU7470	42	66	115	-	U747	-	-	-	-
B	5-12022X	42	66.3	115	5-12022X	-	-	-	-	CZ288
B	U747	42	66.4	115	3174100131	-	UJ747	-	-	-
B	U747	42	66.4	115	3854100131	-	UJ747	-	-	-
B	5-12018X	68	89	166	5-12018X	-	-	-	-	CZ276
B	U462/U992	68	89	166	6564100131	9424100131	UJ462	-	-	-

With 2 grooved and 2 plain round bearings

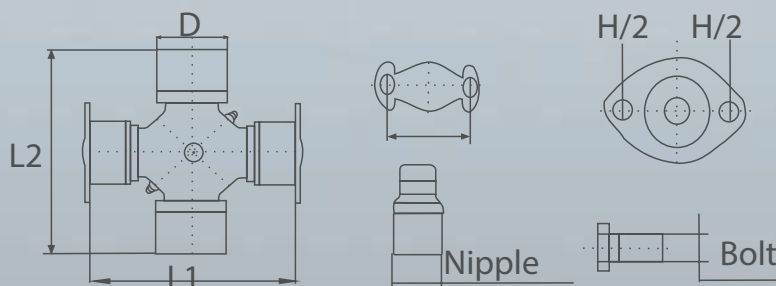


Type	Part No.	D1/D2(mm)	O(mm)	L1/L2(mm)	Spicer	Precision	GMB	GKN	Alloy
A/B	5-248X	25.39/27	-	38.6/62	5-248X	361	G5-248X	1041	U-136
A/B	5-450X	27.01/27	-	52.5/81.78	5-450X	455	-	-	-
A/B	5-35X	27.4/27	-	50.8/81.8	5-353X	319	G5-353X	1153	-
A/B	2-0527	27.41/28.61	-	50.6/61.6	-	-	-	-	-
A/B	5-1204X	27/28.6	-	67.6/92	5-1204X	434	G5-1204X r-r ">m 1 v	1013	U-228
A/B	5-3022X	28.6/27	-	60.2/81.78	5-3022X	372	G5-3022X	1699	-
A/B	5-544X	28.6/27	-	60/81.4	5-544X	372	-	-	-
A/B	5-212X	28.6/27	-	61.8/92	5-212X	355	G5-212X	1085	-
A/B	5-1312X	28.6/28.5	-	60/91	5-1312X	375	-	-	-
A/B	5-1205X	30.2/30	-	60.42/92	5-1205X	-	-	-	-

with 2 Welded Plate Round Bearings and 2 Wing Bearings

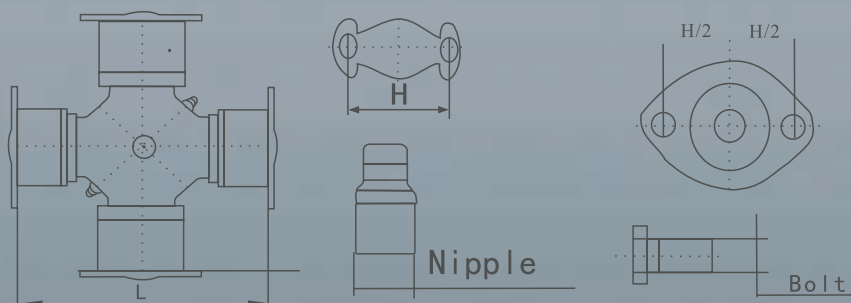


Type	Part No.	D/CtoC(mm)	O(mm)	L1/L2(mm)	Spicer	Precision	GMB	GKN	Alloy	Lempco
C	5-324X	49.2/71.4	-	191.69/209.55	5-324X	480	-	HS794	-	CP18N96
C	5-326X	55.55/71.4	-	205.59/209.55	5-326X	488	-	HS798	-	



Type	Part No.	D(mm)	O(mm)	L1/L2(mm)	Spicer	Precision	GMB	GKN	Alloy	Lempco
D	5-438X	47.6	-	135 / 135	5-438X	475	-	-	-	CP16SI
D	5-674X	47.62	-	135 / 135	5-674X	475	-	-	-	CP16SI
D	5-515X	49.2	-	154.7 / 157.1	5-515X	476	-	-	-	CP17SI
D	5-675X	49.2	-	154.7 / 157.1	5-675X	476	-	-	-	CP17SI
D	5-469X	49.2	-	177.98 / 179.98	5-469X	477	UJ477P	-	-	CP176SI
D	5-677X	49.2	-	177.98 / 179.98	5-677X	477	-	-	-	CP176SI
D	5-510X	49.2	-	191.69 / 194	5-510X	478	UJ478P	-	-	CP18SI
D	5-676X	49.2	-	191.69 / 194	5-676X	478	-	-	-	CP18SI

With 4 welded plate round bearings and 1 wing bearing



Type	Part No.	D(mm)	O(mm)	L(mm)	Spicer	Precision	GMB	GKN	Alloy	Lempco
E	5-115X	39.68	-	116	5-115X	332	G5-115X	HS308	1757	-
E	U429	47.6	-	134.8	5-438x / 000410731	475	UJ429	-	-	-
E	5-279X	47.6	-	134.9	5-279X	333	G5-279X	HS336	1806 / 7	U-105
E	U500	49.2	-	154.6	5-280X	-	UJ500	-	-	-
E	U442	49.2	-	154.7	5-515X	476	UJ442	-	-	-
E	Gu5000	49.2	-	154.8	-	-	-	HS337	-	-
E	5-280X	49.2	-	154.9	5-280X	334	G5-280X	HS337	1802 / 3	U-106
E	U957	49.2	-	177.8	5-504X	-	UJ957	-	-	-
E	5-407	49.2	-	178	5-407X	376	-	HS338	-	-
E	U958	49.2	-	191.7	5-281X	-	UJ958	-	-	-
E	U958	49.2	-	191.7	5-454X	-	UJ958	-	-	-
E	U958	49.2	-	191.7	6685514	-	UJ958	-	-	-
E	5-281X	49.2	-	191.9	5-281X	381	G5-281X	HS334	1810	-
E	5-308X	55.5	-	206	5-308X	388	-	HS348	-	-
E	5-124X	58.9	-	167.5	5-124X	335	G5-124X	-	1804	U-107
E	5-54X	71.5	-	223	5-54X	-	-	-	-	-
E	5-339X	77.8	-	255.2	-	-	-	-	-	-

**With 2 wing bearings and
2 plain round bearings**

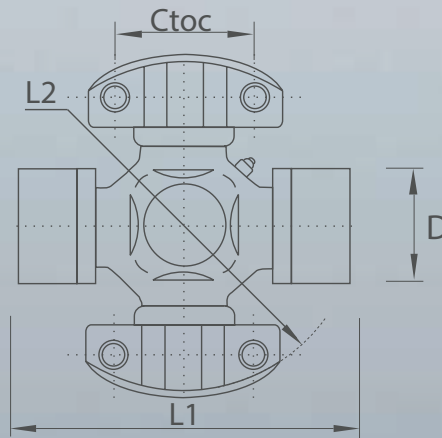


FIG	Part No.	D/CtoC(mm)	O(mm)	L1/L2(mm)	Spicer	Precision	Rockwell	Caterpillar	BEARING TYPE & QTY.
FA	5-345X	30.18 / 36.5	-	106.29 / 107.9	5-345X	-	-	-	2HWD, 2RND
FA	5-303X	34.92 / 42.8	-	126.1 / 140.4	5-303X	470	-	-	2HWD, 2RND
FA	5-356X	27 / 36.5	-	81.7 / 90.44	-	-	-	-	2LWT, 2RND
FA	5-328X	34.93 / 49.2	-	126.22 / 134.8	-	-	-	-	2HWD, 2RND
FA	5-329X	34.93 / 49.2	-	126.22 / 134.8	-	-	-	-	2LWT, 2RND
FA	5-330X	41.2 / 49.2	-	142 / 148	-	-	-	-	2HWD, 2RND
FA	5-331X	41.23 / 42.2	-	142 / 148.2	-	-	-	-	2LWT, 2RND
FA	R220	34.92 / 42.8	-	126 / 140.4	-	-	-	-	2LWT, 2RND
FA	R221	34.92 / 42.8	-	126 / 140.4	5-221X	470	5YO154	-	2HWD, 2RND
FA	5-347X	34.9 / 42.8	-	106.2 / 115	-	-	-	-	2HWD, 2RND
FA	5-348X	34.9 / 42.8	-	106.2 / 115	-	-	-	-	2LWT, 2RND

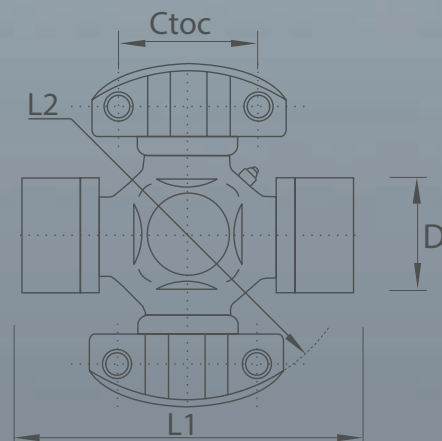
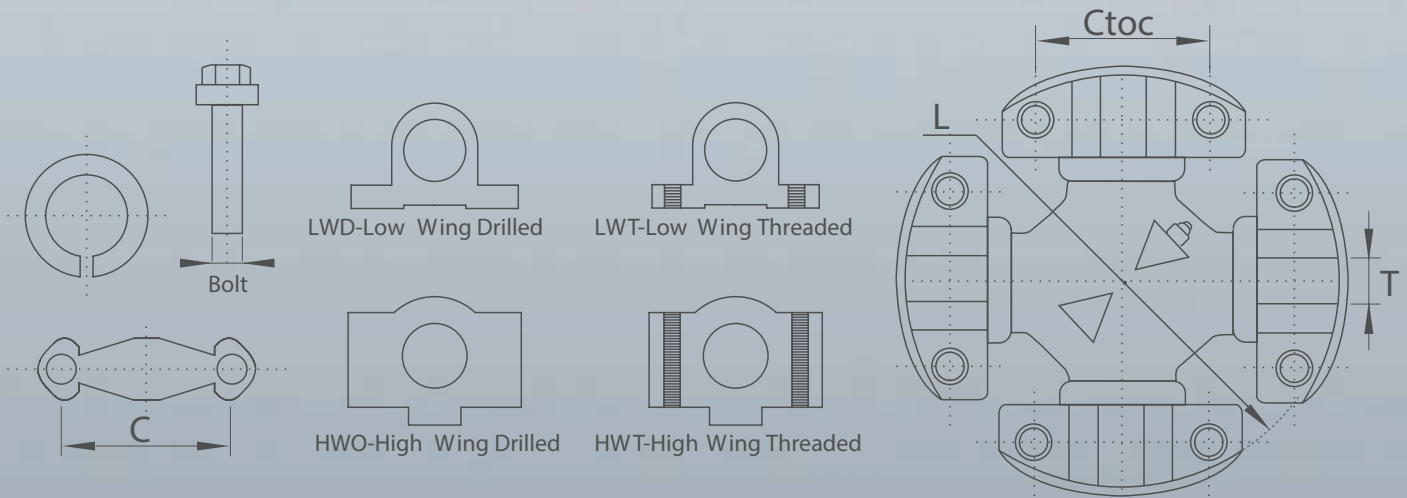


FIG	Part No.	D/CtoC(mm)	O(mm)	L1/L2(mm)	Spicer	Precision	Rockwell	Caterpillar	BEARING TYPE & QTY.	
FB	5-2031X	25.4 / 33.34	-	55.2 / 79.22	5-2031X	508	CP2031	2D3765	-	2LWT, 2RND
FB	5-2033X	25.4 / 33.34	-	54.5 / 79	5-2033X	522	CP2033	6D2529	-	2LWT, 2RND
FB	5-1016X	28.5 / 36.5	-	77.9 / 108	5-4016X	546	CP4016X	-	-	2LWT, 2RND
FB	5-5016X	33.34 / 42.8	-	79.2 / 115	5-5015X	557	-	-	-	2LWT, 2RND
FB	5-5154X	33.35 / 42.85	-	84.023 / 114.96	5-5154X	-	-	-	-	2LWT, 2RND
FB	W-6139	33.35 / 42.88	-	104.25 / 140.25	-	565	-	-	-	2LWT, 2RND
FB	HD205-3	41.5 / 49.2	-	104.5 / 148.4	-	483	-	-	-	2LWT, 2RND
FB	GU7100	25.4 / 33	-	38.8 / 65	-	-	-	-	-	-
FB	GU7100L	25.4 / 33	-	38.8 / 65	-	-	-	-	-	-



Type	Part No.	CtoC(mm)	O(mm)	L(mm)	Spicer	Precision	GMB	GKN	Alloy	Lempco
G	5-2002X	33.3	-	79	5-2002X	951	GU6010	HS520	-	-
G	GUKO-1	33.32	-	79.22	101-10-17100	BAU020027	-	-	-	-
G	GUKO-12	33.32	-	79.22	111-60-11110	BAM020035	-	-	-	-
G	GUKO-2	33.32	-	79.22	101-10-17200	BAU020022	-	-	-	-
G	5-2116X	33.34	-	79	5-2116X	952	G5 2116X	HS522	1063	-
G	GUKO-20	36.4	-	107.98	381-972625-1	BAU040011D	-	-	-	-
G	GUKO-23	36.4	-	107.98	381-985204-1	-	-	-	-	-
G	GUKO-25	36.4	-	107.98	385-10178551	-	-	-	-	-
G	GUKO-4	36.4	-	107.98	111-10-16110	BAU040011B	-	-	-	-
G	GUTC-4	36.4	-	107.98	25073-30299	-	-	-	-	-
G	GUTC-8	36.4	-	107.98	93950-14000	-	-	-	-	-
G	5-4002X	36.5	-	108	5-4002X	541	G5-4140X	HS540	1704	-
G	5-4123X	36.5	-	108	5-4123X	541	-	HS542	-	-
G	5-4140X	36.5	-	108	5-4140X	929	-	HS543	-	-
G	5-4143X	36.5	-	108	5-4143X	969	-	HS545	1698	-
G	5-6106X	42.7	-	140.2	5-6106X	905	G5-6106X	HS565	1826	-
G	GUKO-18	42.88	-	115.05	380-890373-1	BAU050001C	-	-	-	-
G	GUKO-19	42.88	-	115.05	381-881908	-	-	-	-	-
G	GUKO-5	42.88	-	115.05	131-10-46110	BAM050001C	-	-	-	-
G	GUTC-5	42.88	-	115.05	93984-41300	-	-	-	-	-
G	5-5000X	42.88	-	115.06	5-5000X	550	-	HS550	1720	U-224
G	5-5121X	42.88	-	115.06	5-5121X	552	G5-5173X	HS552	1721	-
G	5-5173X	42.88	-	115.06	5-5173X	933	-	HS553	-	-
G	5-5177X	42.88	-	115.06	5-5177X	968	-	HS555	1728	-
G	5-6000X	42.88	-	140.45	5-6000X	560	G5-6000X	HS560	1820	U-229
G	5-6102X	42.88	-	140.45	5-6102X	563	G5-6102X	HS563	1821/2/3	U-248/253
G	GUKO-22	42.88	-	140.45	381-976908-1	BAU060011A	-	-	-	-
G	GUKO-26	42.88	-	140.45	385-10178571	-	-	-	-	-
G	GUKO 28	42.88	-	140.45	385-10238601	-	-	-	-	-
G	GUKO-6	42.88	-	140.45	135-14-00030	-	-	-	-	-
G	GUTC-6	42.88	-	140.45	29003-37221	-	-	-	-	-
G	U510	42.9	-	115	5-5177X	968	UJ510	-	-	-
G	U660	42.9	-	140	5-6106X	905	UJ660	-	-	-
G	U484	42.9	-	140.46	5-6000X	560	UJ484	-	-	-

With 4 wing bearings



Type	Part No.	CtoC(mm)	O(mm)	L(mm)	Spicer	Precision	GMB	GKN	Alloy	Lempco
G	U476	42.92	-	140.46	5-6102X	563	UJ476	-	-	-
G	GUTC-1	45	-	129	25073-30299	-	-	-	-	-
G	GUTC-2	45	-	129	25073-30222	-	-	-	-	-
G	GUTC-3	46	-	134	24023-30301	-	-	-	-	-
G	5-5800X	49.2	-	134.8	5-5800X	894	G5-5800X	-	1878	-
G	5-5801X	49.2	-	134.8	5-5801X	895	-	-	-	-
G	5-5802X	49.2	-	134.8	5-5802X	896	-	-	-	-
G	GUI560	49.2	-	148.38	9-37300-139	070004AR-1	-	-	-	-
G	GUKO-15	49.2	-	148.38	380-136142-1	BAU070001C	-	-	-	-
G	GUKO-27	49.2	-	148.38	385-10193741	-	-	-	-	-
G	GUKC-7	49.2	-	148.38	93984-03600	-	-	-	-	-
G	U473	49.2	-	148.38	5-7000X	570	UJ473	-	-	-
G	U473	49.2	-	148.38	5-7000X	570	UJ473	-	-	-
G	U473	49.2	-	148.38	5-7000X	570	UJ473	-	-	-
G	U480	49.2	-	148.38	5-7202X	574	UJ480	-	-	-
G	U480	49.2	-	148.38	5-7202X	574	UJ480	-	-	-
G	U675	49.2	-	148.38		927	UJ675	-	-	-
G	5-7000X	49.2	-	148.4	5-7000X	570	G5-7000X	HS570	1841	U-230
G	5-7105X	49.2	-	148.4	5-7105X	927	G5-7105X	HS575	1840	-
G	5-7202X	49.2	-	148.4	5-7202X	574	G5-7202X	HS573	1843	U-251
G	5-8200X	49.2	-	206.31	5-8200X	581	G5-8200X	HS580	1851	U-231
G	5-8201X	49.2	-	206.31	5-8201X	582	G5-8201X	HS582	-	-
G	5-8202X	49.2	-	206.31	5-8202X	783	G5-8202X	HS583	1853	U-259
G	5-8203X	49.2	-	206.31	5-8203X	584	-	HS581	-	-
G	5-8207X	49.2	-	206.31	5-8207X	-	-	-	-	-
G	5-8105X	49.2	-	206.4	5-8105X	928	G5-8105X	HS585	1850	-
G	GUI567	56	-	173.9	1-37300-049-0	-	-	-	-	-
G	GUKO-8	71.44	-	165.01	175-20-00060	BAU020027	-	-	-	-
G	5-9000X	71.44	-	209.62	5-9000X	793	G5-9000X	-	1864	U-232
G	5-9016X	71.44	-	209.62	5-9016X	911	-	HS595	1868	-
G	5-8500X	71.6	-	165	5-8500X	785	-	HS680	-	-
G	5-8515X	71.8	-	165	5-8515X	950	-	HS683	-	-
G	5-8516X	71.8	-	165	5-8516X	963	-	HS685	-	-

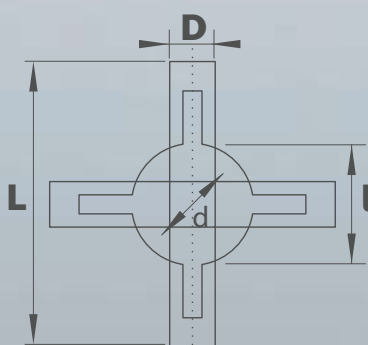
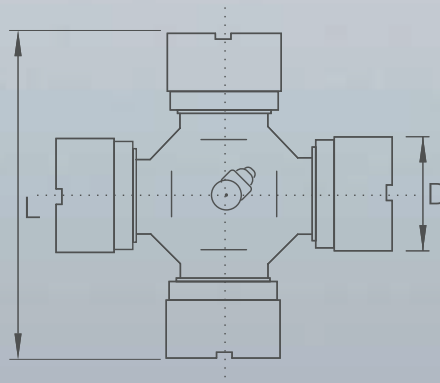


FIG	Part No.	D(mm)	L(mm)
H	SUZUKI	19.5	142
H	XN1050	20	146
H	BJ1041	20	146
H	2S24A1	20	146
H	BI130	22	136.5
H	NJ131	22	153
H	1088Q	24	158
H	9T(FRONT)	24	168
H	EQ1060	24	176
H	Staire	24	186
H	E159412	25.35	192.3
H	38289	25.35	193.7
H	26168	26	168
H	E196276	26.99	183.6
H	127359	27	185
H	E159516	27.5	188
H	EQ145	28	186
H	9T(BACK)	28	187
H	457(FRONT)	28	187
H	EQ140	28	188
H	CA141	28	195
H	153TWO BRIDGE	28.6	195
H	EQ1094	30	188
H	107371	30.18	200
H	06F1502	30	232
H	U14050	31.61	241
H	U6903	31.65	241.5
H	3278A79	31.7	220
H	CA150	32	203.8
H	EQ153	34	213
H	10T	35	210
H	457(BACK)	35	227
H	F900528H	40	217.9
H	F900908H	45	227
H	EQ460	38	221
H	6782	24	170
H	EQ480	38	240
H	EQ500	38	250
H	404321	25	188

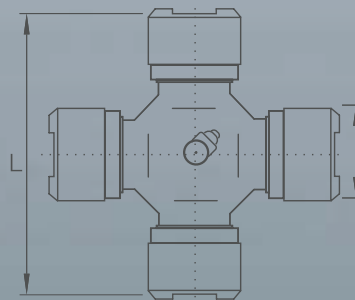
FIG	Part No.	D(mm)	L(mm)
H	216639	28	211
H	F901132Q	30.16	198.63
H	F903116Z	25	190
H	3663696SMP	20	160
H	E1050480	26.97	183
H	SPD02	26	168
H	FX-06	28.2	156.2
H	216907	24	166
H	2403061D1H	35	226
H	216909	28	185
H	S3366	23.825	158.3
H	Jh1019	20	156
H	S6348	23.825	171.45
H	3278M91	22.2	165.2
H	S5507	25.35	193.7
H	404321(nail)	25	188
H	E192144	29.4	194
H	216906	25	158
H	Jh1010	19.5	142
H	E159776	25	150
H	F902516Z	27.5	180
H	216908	28	177.8
H	SPD01	31.95	215.3
H	Jh1877	25	187.7
H	U14059	31.65	271
H	U14081	35.8	320.7
H	U5355	28.52	204.5
H	RFS-1	22	149.4
H	216639	28	211
H	E159966	29	196
H	KS21	120	145.8
H	TXD50	24	173.8
H	U14051	25.4	176
H	U14049	38.1	273.4
H	864356R2	27	187
H	3278S305	27	184
H	S6348	23.825	171.45
H	S3366	23.825	158.3

With 4 slotted bearings



Round Plate

FIG	Part No.	D(mm)	L(mm)	GMB	OEM	KOYO	MATSUBA	GKN
IR	GU3000	39.68	116	-	-	-	-	-
IR	GUN-33	43	128	GUN33	37125-99901	ND43128	UJ119	-
IR	GUH-61	47	124	GUH61	9-953-3401-01	H47124	UJ511	-
IR	GUH-62	47	138	GUH62	3-302-3403-01	H47138	UJ512	-
IR	GU4000	47.65	135	Gu4000	-	-	-	HS316
IR	GU5000	49.23	154.76	Gu5000	-	-	-	HS337
IR	GUH64	50	159	GUH-64	3-302-3403-06	H50159	UJ513	-



Strip Bar

FIG	Part No.	D(mm)	O(mm)	L(mm)	GMB	OEM	KOYO	MATSUBA
IS	GUN-31	32	-	107	GUN31	37125-50001	N32111	UJ114
IS	GUIS 58	36	-	97	GUIS58	9-37300-112	126101A	UJ312
IS	GUIS-55	42	-	125	GUIS55	9-37300-150	142129A	UJ320
IS	GUN-41	43	-	136	GUN41	37125-90128	Nd43142	UJ120
IS	GUM-71	44	-	129	GUM71	14501-27000	M44135	UJ610
IS	GUIS-65	45.98	-	136	GUIS65	1-37300-004-0	146142WS	UJ340
IS	GUM-80	46	-	142	GUM80	12018-01110	M46142	UJ6112
IS	GUM-90	46	-	148	GUM90	14801-06001	M46148	UJ629
IS	GUH-70	47	-	138	GUH70	37401-1061	-	UJ519
IS	GUH-68	47	-	144	GUH68	04037-4008	-	UJ517
IS	GUH-71	47	-	144	GUH71	37401-1010	-	-
IS	GUH-72	47	-	144	GUH72	37401-1080	-	-
IS	GUIS-57	48	-	145	GUIS57	9-37300-163	148149	UJ321
IS	GUIS-68	50	-	155	-	1-37300-082-0	-	-
IS	GUH-73	50	-	165	GUH73	37401-1021	-	UJ518
IS	GUM-83	52	-	153.8	GUM83	12019-10000	-	UJ626
IS	GUM-96	52	-	170	-	Mc998476	-	-
IS	GUN-43	55.1	-	163.8	GUN43	37125-90027	ND43128B	UJ125
IS	GUH-75	58	-	175	GUH75	37401-1180	-	-

APPLICATIONS

Passenger Cars

JAPANESE CARS

TOYOTA

FIG	Part No.	D(mm)	O(mm)	L(mm)	GMB	OEM	KOYO	MATSUBA
A	GUT- 11	20	-	57	GUT11	04371-10011	T2057	UJ212
A	GUT-19	20	-	57	GUT19	04371-10010	T2057	UJ222
A	GUT-24	22.08	-	57.5	GUT24	-	-	-
B	GUT-13	26	42	-	GUT13	04371-20010	T2667A	UJ211(221)(231)
B	GUT-12	26	53.6	-	GUT12	04371-30011	T2680C	UJ210
A	GUT-25	27	-	81.75	GUT25	04371-04010	-	-
A	GUT-14	28.5	-	77.7	GUT14	04371-60010	T2978	UJ214
B	GUT-27	28.57	49	80	GLT27	-	-	-
B	GUT-21	29	49	76.6	GUT21	04371-35020	T2977	UJ230
B	GUT-23	29	49	76.6	GUT23	04371-35050	-	UJ230
B	GUT-17	29	49	-	GUT17	04371-30020	T2977	UJ230
B	GUT-20	32	61	91.6	GUT20	04371-36021	T32921	UJ234
A	GUT-15	34	-	107	GUT15	04371-55011	T34107	UJ216
A	GUT-16	40	-	118	GUT16	04371-55020	T40119	UJ215
A	GUT-22	40	-	118	GUT22	04371-55021	-	-
FB	GUT-26	28.57/ 36.5	-	77.74/ 107.82	GUT26	04371-23001-71	-	-

NISSAN

FIG	Part No.	D(mm)	O(mm)	L(mm)	GMB	OEM	KOYO	MATSUBA
A	GUN-49	18		47	GUN49	34126-Z2002		
B	GUN-28	20.1	35	57	GUN28	37125-18025	N2057	
A	GUN-44	20.5		56.6	GUN44	48155-99000		UJ118
A	GUN-45	20.7		52.4	GUN45	37125-H8500		
A	GUN-26	23.82		61.3	GUN26	37125-11975	N2461	UJ110
B	GUN-27	25	40		GUN27	37125-14627	N2563	UJ111
B	GUN-34	25	52		GUN34	37125-76025	N2580	UJ113
A	GUN-36	25		77.6	GUN36	37125-4101(6510)	NP2578	UJ120
B	GUN-38	26	45.6		GUN38	37125-68200		UJ121
B	GUN-46	27	46		GUN46	37126-01G25		UJ124
A	GUN-47	27		81.75	GUN47	37125-25025		
A	GUN-48	27		81.75	GUN48	37125-7F025		
B	GUN-29	28	53		GUN29	39625-21025	N2880BA	UJ112
A	GUN-30	30.188		92.08	GUN30	37125-85461	N3092	
B	GUN-25	32	64		GUN25	37125-01J25		
IR	GUN-31	32		107	GUN31	37125-50001	N32111	UJ114
A	GUN-32	35.5		119.2	GUN32	37125-58026	N36119	UJ115
IR	GUN 33	43		128	GUN33	37125-99901	ND43128	UJ119
IS	GUN-41	43		136	GUN41	37125-90128	ND43142	UJ120
IS	GUN-43	55.1		163.8	GUN43	37125-90027	ND43128B	UJ125

MAZDA

FIG	Part No.	D(mm)	O(mm)	L(mm)	GMB	OEM	KOYO	MATSUBA
A	GUMZ-2	22.02	-	55	GUMZ2	0180-25-060	TM2055	UJ412
A	GUMZ-11	22.06	-	5.6	GUMZ-11	-	-	-
B	GUMZ-10	22.5	35	-	GUMZ-10	3919-89 251	-	UJ418
A	GUMZ-12	24.06	-	71.6	GUMZ-12	-	-	-
A	GUMZ-1	25	-	63.8	GUMZ-1(5)	0136-25-060	TM2564A	UJ410(UJ411)
B	GUMZ-7	25.02	41	-	GUMZ-7	0259-25-060	TM2564B	UJ413
B	GUMZ-9	26.53	48	71	GUMZ-9	1757-89-251	-	UJ417
B	GUMZ-6	28	55.8	80.4	GUMZ-6	0706-89-251	TM2880	UJ415
B	GUMZ-3	32	57	-	GUMZ3(4)	0164-25-060	TM3293	UJ414
B	GUMZ-8	37	67	-	GUMZ-8	0727-25-060	TM37104	UJ416

MITSUBISHI

FIG	Part No.	D(mm)	O(mm)	L(mm)	GMB	OEM	KOYO	MATSUBA
A	GUM-92	20.02	-	55	GUM92	MB-000697	-	-
B	GUM-95	22	37.3	-	GUM95	91271-08200	-	-
A	GUM-89	22.06	-	67.5	GUM89	-	-	-
A	GUM-85	22.08	-	64.4	GUM85	MB000300	-	-
A	GUM-78	25	-	63.8	GUM78	ST-0003	-	UJ619
A	GUM-79	25	-	63.8	GUM79	ST-00024	M2564	UJ616
A	GUM-81	25	-	63.8	GUM81	MB-000345	S2765	UJ625
A	GUM-88	25	-	76.5	GUM88	MB000776(0008)	-	-
A	GUM-91	25	-	76.7	GUM91	MB000948	M2576	-
A	GUM-76	25.02	-	77.6	GUM76	13018-21200	M2578A	UJ614
A	GUM-84	26	-	68	GUM84	18433-51700	-	UJ623
A	GUM-77	27	-	65.3	GUM77	ST-0008	S2765	UJ617
A	GUM-73	27	-	81.75	GUM73	GPW18397	S2782	UJ620
A	GUM-86	28.52	-	77.7	GUM86	MT047756	M2978	UJ615
B	GUM-93	30	55.1	85	GUM93	MB000267	S32102A	-
A	GUM-87	30	-	78.2	GUM87	MB000199	-	UJ627
A	GUM-75	31.8	-	102	GUM75	-	-	-
A	GUM-72	38	-	104	GUM72	13518-22000	M36104	UJ613
A	GUM-82	38	-	104	GUM82	13501-11010	M38104	UJ624
A	GUM-94	40	-	112	GUM94	MC999961	-	-
IS	GUM-71	44	-	129	GUM71	14501-27000	M44135	UJ610
A	GUM-99	44	-	129	-	MC998680	TM119	-
A	GUM-97	44	-	131	-	MC998680	-	-
IS	GUM-80	46	-	142	GUM80	12018-01110	M46142	UJ612
IS	GUM-90	46	-	148	GUM90	14801-06001	M46148	UJ629
A	GUM-98	49.2	-	154.65	-	MC825215	-	-
IS	GUM-83	52	-	153.8	GUM83	12019-10000	-	UJ626
IS	GUM-96	52	-	170	-	NC998476	-	-

HINO

FIG	Part No.	D(mm)	O(mm)	L(mm)	GMB	OEM	KOYO	MATSUBA
A	GUH-69	20	-	58	GUH69	45220-1060	-	-
A	GUH-03	22	-	65	GUH03	44330-538-004	HD2265C	UJ810
A	GUH-66	23.82	-	65.96	GUH66	6042-8409-00	H2466	UJ516
A	GUH-63	35.01	-	99	GUH63	3-331-3403-01	H3599	UJ514
A	GUH-74	36	-	115	GUH74	37401-1100	-	-
A	GUH-65	36.6	-	110.3	GUH65	3-445-3034-04	H36110	UJ515
A	GUH-60	40.2	-	115	GUH60	37401-1172	-	-
IR	GUH-61	47	-	124	GUH61	9-953-3401-01	H47124	UJ511
IR	GUH-62	47	-	138	GUH62	3-302-3403-01	H47138	UJ512
IS	GUH-70	47	-	138	GUH70	37401-1061	-	UJ519
IS	GUH-68	47	-	144	GUH68	04037-4008	-	UJ517
IS	GUH-71	47	-	144	GUH71	37401-1010	-	-
IS	GUH-72	47	-	144	GUH72	37401-1080	-	-
G	GUH-67	49.2	-	148.38	GUH67	3301-3403-01	-	-
IR	GUH-64	50	-	159	GUH64	3-302-3403-06	H50159	UJ513
IS	GUH-73	50	-	165	GUH73	37401-1021	-	UJ518
IS	GUH-75	58	-	175	GUH75	37401-1180	-	-

HONDA

FIG	Part No.	D(mm)	O(mm)	L(mm)	GMB	OEM	KOYO	MATSUBA
A	GUHO-3	22	-	65	GUH03	44330-538-004	HD2265C	UJ810
A	GUHO-2	25	-	64	GUH02	40150-567-003	HD2264LS	UJ811

DAIHATSU

FIG	Part No.	D(mm)	O(mm)	L(mm)	GMB	OEM	KOYO	MATSUBA
A	GUD-81	20	-	55	GUD81	4141-4120	-	UJ218
A	GUD-86	20	-	55.1	GUD86	04371-87501	-	-
B	GUD-88	22.5	34.9	-	GUD88	04371-87503	-	UJ226
A	GUD-83	25	-	63.8	GUD83	4123-4120	-	UJ219
A	GUD-87	28	-	80	GUD87	04371-87303	-	-
A	GUD-84	28.01	-	80	GUD84	04371-87301	D2880A	-
A	GUD-82	28.02	-	80	GUD82	4610-4120	-	UJ220(225)
B	GUD-85	28.5	60.1	-	GUD85	04371-87302	D2992	-
B	GUD-89	30	55	-	GUD89	04371-87304	-	-

ISUZU

FIG	Part No.	D(mm)	O(mm)	L(mm)	GMB	OEM	KOYO	MATSUBA
A	GUIS-59	20.5	-	56.6	GUIS59	44135-060	-	UJ315
A	GUIS-63	22.06	-	62.5	GUIS63	94207232-1	-	-
A	GUIS-51	23.82	-	61.3	GUIS51	9-37300-017	12461	UJ313
A	GUIS-56	23.82	-	61.3	GUIS56	9-37300-609	12461	UJ323
A	GUIS-61	23.82	-	61.3	GUIS61	9-37300-031	12491	UJ313
A	GUIS-69	27	-	81.75	GUIS69	8-97020-279-0	-	-
B	GUIS-70	29	49	-	GUIS70	8-97080-897-0	-	-
B	GUIS-71	29	49	-	GUIS71	8-97180-697-0	-	-
B	GUIS-52	29	50	-	GUIS52	9-37300-065	12976	UJ314(324)
A	GUIS-66	33	-	93	GUIS66	5-37300-032-0	133931W	UJ325
A	GUIS-62	35	-	103.92	GUIS62	1-37300-0130	1351041	-
E	GUIS-54	36	-	97	GUIS54	9-37300-055	136101	UJ311
IS	GUIS-58	36	-	97	GUIS58	9-37300-112	136101A	UJ312
A	GUIS-64	40	-	114.9	GUIS64	1-37300-047-0	-	-
A	GUIS-72	42	-	115	-	-	-	-
IS	GUIS-55	42	-	125	GUIS55	9-37300-150	142129A	UJ320
IS	GUIS-65	45.98	-	136	GUIS65	1-37300-004-0	146142WS	340
IS	GUIS-57	48	-	145	GUIS57	9-37300-163	148149	321
G	GUIS-60	49.2	-	148.38	GUIS60	9-37300-139-0	070004AR-1	339
IS	GUIS-68	50	-	155	-	1-37300-082-0	-	-
G	GUIS-67	56	-	173.9	GUIS67	1-37300-049-0	-	-

SUZUKI

FIG	Part No.	D(mm)	O(mm)	L(mm)	GMB	OEM	KOYO	MATSUBA
B	GUS-2	20.01	35	57	GUS2	27100-67000	-	-
A	GUS-6	20.1	-	59.8	GUS6	27200-60511	-	-
B	GUS-1	25	40.4	63.4	GUS1	27200-58833	SZ2564TR	UJ700
A	GUS-7	25	-	63.9	GUS7	27200-83810	-	UJ413

SUBARU

FIG	Part No.	D(mm)	O(mm)	L(mm)	GMB	OEM	KOYO	MATSUBA
B	GUSR-2	23	44.6	-	GUSR2	6234-00020	F2064	UJ150
B	GUSR-4	25.1	40	-	GUSR4	6220-32000	-	-
A	GUSR-3	28	-	52.6	GUSR3	6232-43000	-	-

OTHERS

FIG	Part No.	D(mm)	O(mm)	L(mm)	GMB	OEM	KOYO	MATSUBA
A	GUDUMP-1	20	-	57.5	GUDUMP1	S164-61040-0	HM2058	UJ912
A	GUDUMP-3	22	-	62	GUDUMP3	YK220A	-	UJ910
A	GUDUMP-2	25	-	77	GUDUMP2	S164-61047-0	HM2577F1	UJ911

KOREAN CARS

FIG	GMB No.	D(mm)	O(mm)	L(mm)	OEM	Application
B	GUN-28	20	35	-	-	DAEWOO
B	GUMZ-7	25	41.2	-	-	KIA
B	GUMZ-9	26.5	48	-	-	KIA
A	GU-1210	27	-	62	-	HYUNDAI
A	GUK-12	27	-	80	-	HYUNDAI
A	GUM-73	27	-	81.75	-	KIA
B	GUM-93	30	55.1	-	-	HYUNDAI
B	GUMZ-3	32	57	-	-	KIA
B	GUMZ-8	37	67	-	-	KIA
IS	GUM-71	44	-	129	-	HYUNDAI
IS	GUM-80	46	-	142	-	FUSO
IR	GU-400	47.62	-	134.9	-	HYUNDAI
D	G5-675X	49	-	158	-	ASIA
D	G5-510	49	-	194	-	ASIA
	S1710	49.2	-	154.74	-	HYUNDAI
	S-1810	49.2	-	191.76	-	DAEWOO
IS	GUM-83	52	-	153.9	-	FUSO
G	GUIS-67	56	-	173.9	-	DAEWOO

AUSTRALIAN CARS

FIG	Part No.	D(mm)	O(mm)	L(mm)	Spicer	GMBNO	GKN
B	RUJ1780	20.02	34.7	-	5-1500X	GUN28	HS124
B	RUJ1781SL	25.02	40	-	5-1501X	GUN27	HS420
B	RUJ1786	25.4	38.5	-	5-105X	G5-105X	-
B	RUJ2030	25.4	55	-	5-2011X	GU6200	HS430
B	RUJ1776SL	26	41.76	-	5-1502X	GUT13	HS432
A	QC960714	26	-	-	-	GU7410	HS159
B	RUJ2016	26.03	53.64	69.8	5-1508X	GUT12	HS436
B	MUSSOREAR	26.52	48	-	-	-	-
A	K5-13XR	26.99	-	-	-	-	-
A	K5L4R	27.009	-	81.76	-	-	-
B	RUJ2038	27.4	50.92	74.6	-	-	-
B	RUJ2028	28.02	52.9	-	5-1505X	GUN29	HS448
B	RUJ2100	29	49	-	5-1510X	GUT17	HS454
A	QC960715	30	-	-	-	-	HS188
A	K5GB10R	30.188	-	81.8	-	-	-
B	RUJ2041	32	61	-	5-1511X	GUT20	HS470
B	RUJ3007	32	68.2	-	-	-	-
A	KC2832ADW	40	-	115.6	-	-	-
A	KC2932ADW	44	-	129	-	GUM71	HS312

CHINESE CARS

Part No.	D(mm)	O(mm)	L(mm)
BJ130	32	-	93
BJ130 (ZHUAN)	19	-	44
BJ1305	30	-	88
BJ212	30	55	88
CA1160K2	48	-	127
CA141	38	-	118
CA141 (ZHUAN)	24	-	63
CA150	48	-	124.6
CA6350 (JIABAO)	25	-	63
CH1018 (CHANGHE)	25	-	64
EQ1060	36	-	104
EQ1060 (ZHUAN)	24	-	63
EQ140	39	-	118
EQ140 (ZHUAN)	24	-	63
EQ14-2	29	-	118
EQ14-3	41	-	118
EQ153	47	-	140
EQ153 (ZHUAN)	18	-	47
EQ153 (SHUANGGIAO)	47	-	140
F110	16	-	38.5
FU413 (BACK)	44	-	129
HH110	24	-	63
JN150	44	-	120
J1162	50	-	135
KD1819	30	-	78
LZ110	20	-	55
NJ130 (ZHUAN)	24	-	62
NJ130, 131	35	-	98
SC110	22	-	59.6
SH130	30	-	87
SY134	30	54.8	85
SY6480	29	47.4	77.2
SY6480 (WIKI)	29	-	77.2
TH1010 (ZHUAN)	15	-	38
TJ1010	22.5	-	57
TJ110	20	-	55

Part No.	D(mm)	O(mm)	L(mm)
TN141	43	-	136 / 140
WH110	20	-	55
XJ213	27	-	81.75
ZK6800	68	89	165.5
BENZ - 1	57	-	152
BENZ - 2	53	-	135
BENZ - 3	52	-	137
BELAS	62	-	173
CHANGJIANG 750	19	-	44
SANGLONGWANG	43	-	136
JIANGHUAI 6700	33	-	93
JIANGHUAI 6782	42.1	-	119.5
JIANGHUAI PASSENGER BUS	44	-	129
KINGLONG BUS	45	-	120
KAMAZ	50	-	135
MAZ 525	62	-	149
SHAQI AOLONG	63.5	-	152
SHANGHAI DA JIAOTONG	59	-	168
REAPER	28	42	72.5
STEV1 0017	48	-	116.4
STEV2 0125	52	-	133
STEV3 0082	57	-	144
STEV4 0092	57	-	152
ISUZU	29	50	76.2
ISUZU (WAIKA)	29	-	76.2
YASI210	50	-	155
FAW AOWEI	62	-	160
FAW AOWEI-1	62	-	170
-	27	-	80
-	28	53	80
-	48	-	126
-	57	-	172
-	59	-	167.4
-	60	-	170
-	65	-	170
-	68	-	165.5

RUSSIAN CARS

FIG	Part No.	D(mm)	O(mm)	L(mm)	Bearing No.	OEM	Note	Weight
A	4301-3401485	19	-	44.6	704702K3C10 / 904700C10	UJR3302	GAZEL	0.135KG
A	2101-2202025 / 06	23.84	-	61.24	904902Y / 904902YC10	UJ2010	VAZ-2101-2107, LADA	0.282KG
A	2105-2202025 / 21050-2202025-01	23.84	-	61.24	904902Y / 904902K5C10	UJ2101A	VAZ-2101-2108 Amplified	0.282KG
B	5320-3422039	28	37.2	69	704902K6C10	UJR5320	KAMAZ	0.460KG
B	400-2201025 / 408-2201025	28	42.5	73	704902K6C10	UJ408	MOSKVICH 408	0.450KG
B	412-2201025	28	52.2	83	704902K6C10	UJ412	MOSKVICH 412	0.510KG
A	5320-3422020	28	-	67.9	704902K6C10	-	-	-
A	21211-2202025 / 2121-2202025-01	28	-	70.9	704902YC10	UJ2121	VAZ-2121 (NIVA)	0.420KG
A	2121-2202025	28	-	70.9	704902YC10	UJ21213	VAZ-21213 (NIVA)	0.420KG
A	2121-2201025	28	-	70.9	704902YC10	-	-	0.420KG
B	3102-2201025 / 31029-2201026	30	55	88	704702K2C10	UJ3110	VOLGA, GAZEL, UAZ	0.630KG
B	69-2201025	30	55	88	704702K3C10	UJ69	VOLGA, GAZEL, UAZ	0.620KG
B	31029-2201025	30	55	88	704702K2C10	-	-	0.630KG
B	3102-2201025	30	55	88	704702K2	-	-	0.620KG
IS	53A-2201025 / 53A-2201025-10	35	-	98	804704K4C10 / 804704K1C10	UJ53A	GAZ-53	0.940KG
IS	131-2205025 / 4301-2201025A / 130-2201025	39	-	118	804807R5C10 / 804805R1C10	10130Z	KAMAZ	1.400KG
A	4301-2201025A-1	39	-	118	804807R5C10 / 804805R1C10	UJ5320S	KAMAZ	1.400KG
IS	5320-2201025	39	-	118	804805K	-	-	1.400KG
A	5320-2201025A-1	39	-	118	804805K2	-	-	1.400KG
A	6520-2201025-10	47.6	-	135	-	-	-	2.650KG
A	53205-2201025	50	-	135	804704A1C10	-	-	2.720KG
IS	4310-2205025 / 5320-2205025	50	-	155	804807K5C10	UJ5320B	KAMAZ	2.740KG
A	255B-2201025	50	-	155	804707A1C10	UJ255B	KAMAZ	3.205KG
IS	4310-2205025	50	-	155	804707K8C10	-	-	3.220KG
A	5320-2205025 / 53205-2205025	50	-	155	804707A1C10	-	-	3.205KG

FIG	Part No.	D(mm)	O(mm)	L(mm)	Bearing No.	OEM	Note	Weight	Torque
A	3354100031	52.1	-	133	-	-	-	-	-
A	3634100631	53	-	135	-	-	-	-	-
A	6520-2205025-10 / 232540	57	-	144	BBY4157PB	-	-	3.950KG	12000H'M
A	6520-2205025 / 3874100031	57	-	152	BBU4157P	-	-	4.210KG	17000H'M
IS	540-2201025 / 700-2201080	62	-	173	804709A1C10	UJ700	K-700	5.495KG	17000H'M
A	540-2201025	62	-	173	804709A1C10	-	-	5.495KG	17000H'M
B	6564100131	68.02	89	165.5	-	-	-	-	-
A	7555-2201025	72	-	185	804710A1C10	-	-	8.305KG	31000H'M

AMERICAN CARS

FIG	Spicer	D(mm)	O(mm)	L(mm)	GMB	GKN
B	5-1514X	22.52	34	-	-	-
A	5-101X	23.82	-	61.3	GU400	HS150
A	5-111X	23.82	-	61.3	-	HS194
A	5-13400X	23.82	-	61.3	-	-
B	5-170X	23.83	34.85	-	G5-170X	HS410
B	5-103X	23.83	35	-	G5-103X	HS410
B	5-1503X	25.02	29.8	-	-	-
B	5-1501X	25.02	40	-	GUN27	HS420
A	5-1516X	25.02	-	76.44	GUM88	HS153
B	5-100X	25.4	38.5	-	G5-100X	-
B	5-1502X	26	42	-	GUT13	HS432
B	5-1508X	26	53.6	-	GUT12	HS436
B	5-260X	27	52.5	-	G5-260X	HS162
B	5-74	27	52.5	-	G5-260X	HS441
B	5-1200X	27	57.4	-	G5-1200X	-
B	5-1203X	27	67.6	-	G5-1203X	-
B	5-273X	27	67.6	-	G5-273X	-
A	5-4X	27	-	74.6	GU1100	HS195
A	5-121X	27	-	81.75	G5-121X	-
A	5-113X	27	-	81.78	G5-113X	-
A	5-153X	27	-	81.78	GU1000	HS166
A	5-200X	27	-	81.78	G5-200X	HS166
A	5-251X	27	-	81.78	G5-251X	HS166
A	5-213X	27	-	92	G5-213X	-
A	5-134X	27	-	81.7 / 92	G5-134X	-
A	5-443X	27.01	-	61.95	G5-443X	-
B	5-1306X	27.4	50.9	-	G5-1306X	HS442
B	5-1505X	28.02	52.9	-	GUN29	HS448
A	5-1509X	28.52	-	77.7	GUT14	HS172
B	5-2532X	28.6	49	-	-	-
B	5-3147X	28.6	56.8	-	GU6370	HS451
B	5-3011X	28.6	60.2	-	-	-
B	5-1309X	28.6	63.96	-	G5-1309X	-
B	5-1510X	29	49	-	GUT17	HS454

AMERICAN CARS

FIG	Spicer	D(mm)	O(mm)	L(mm)	GMB	GKN
A	5-178X	30.188	-	92.075	GU2200	HS182
A	5-10X	30.188	-	106.35	GU2050	HS179
A	5-160X	30.188	-	106.35	GU2050	HS179
B	5-297X	30.2	52.5	-	G5-297X	457
B	5-1301X	31.3	71.5	-	G5-1301X	-
B	5-1511X	32	61	-	GUT20	HS470
A	5-431X	33.3	-	67.48	GGP-44R	-
A	5-188X	34.93	-	106.31	GU2300	HS263
A	5-263X	34.93	-	106.31	G5-263X	HS263
A	5-155X	34.93	-	126.22	G5-155X	HS275
B	5-275X	34.93	-	126.22	G5-275X	HS275
B	5-12213X	38	57.2	-	GU-7300	-
B	5-1506X	38	57.2	-	GU-7300	HS480
A	5-165X	41.24	-	142	G5-165X	HS252
A	5-12276X	44.1	-	149	-	-
A	5-12100X	45	-	120.4	GU7530	HS260
A	5-12219X	48.05	-	125.8	GU7620	HS272
A	5-12062X	48.05	-	161	-	HS268
A	5-12278X	50	-	164	-	HS280
A	5-12924X	52	-	133	GU7560	HS282
A	5-12072X	57	-	162.9	G5-12072X	-
A	5-12932X	57.27	-	152	GU7630	HS289
B	5-1201X	27 / 28.6	55.5	-	G5-1201X	s

EUROPEAN CARS

FIG	Part No.	D(mm)	O(mm)	L(mm)	Series	GMB	GKN
A	U762	48.05	-	125.8	-	GU7620	HS272
A	GU7650-1	48.05	-	126	-	GU7650-1	-
I	GU5000	49.23	-	154.76	-	GU5000	HS337
I	GU3810-1	50	-	152.5	-	GU3810-1	-
I	GU3810	50	-	152.6	-	GU3810	HS381
A	U756	52	-	133	-	GU7560	HS282
A	WLD-52	52	-	148	-	-	-
A	U761	53	-	135	-	GU7610	HS284
A	U813	57	-	144	-	GU8130	HS288
A	U763	57.07	-	152	-	GU7630	HS289
I	U990	57.07	-	152	-	-	-
A	ZQ565	57.07	-	172	-	-	-
A	CZ-280	65.03	-	189.7	-	-	-
B	CZ-276	68	89	-	-	-	-
A	AP2106	23.8 / 27	-	74.62 / 91	-	-	HS786
A/B	2-0527	27.4 / 28.61	50.6 / 61.6	-	-	-	-
A	AP3506	27 / 32.02	-	94 / 76	-	-	HS787

EUROPEAN CARS

FIG	Part No.	D(mm)	O(mm)	L(mm)	Series	GMB	GKN
A	ST1538	15	-	38.1	-	-	-
A	ST1539	15	-	39.1	-	-	-
A	ST1540	15	-	40	-	-	-
A	ST1638	16	-	38	-	-	-
A	ST1639	16	-	39	-	-	-
A	ST1640	16	-	40	-	-	-
A	UW17039W	17	-	39	-	-	-
A	15311	17	-	47	-	-	-
A	C01	18	-	47	-	GUA-1	HS108
A	ST1940	19	-	40	-	-	-
A	ST1948	19	-	48	-	-	HS119
A	XLUJ1957	19	-	51	-	-	-
A	GU350	19.05	-	51.95	-	GU350	HS130
A	GU300	19.05	-	52	-	GU300	-
B	F3	20	37		-	-	-
A	AP1-00	22	-	54	-	GUA-3	HS132
A	AP0-10	22	-	54.8	40116	GUA-4	-
A	2113-24-01	22	-	58.2	-	-	-
A	EG10	22.02	-	54.15	K5-A588	GUA-3	HS130
B	1022	22.52	34		-	-	-
A	GU400	23.82	-	61.3	-	GU400	HS150
A	GU500-1	23.82	-	61.3	-	GU500-1	-
A	GU5100	23.82	-	61.3	-	GU5100	-
A	EG20	23.82	-	61.45	K5-A64	GUA-5	HS185
A	GU500	23.82	-	61.6	K5-LGB80R	GU500	HS194
A	C737	23.84	-	61.2	-	-	-
A	GU200	24	-	63.31	-	GU200	-
A	U728/4	24.09	-	74.55	-	GU7280/4	-
A	1052	25	39.6	-	-	-	-
A	DAEWOO DAMAS	25.02	41	-	-	-	-
A	K1513	26.52	48	-	-	-	-
A	AP3-11	26.98	-	70	40127	GUA-7	-
A	AP4-21	26.98	-	74.6	44444	GUA-8	-
B	1006	27	56.8	-	-	-	-
A/B	U431	27	77.22	92	-	-	-
A	GU-1210	27	-	62	-	-	-
A	CX-183	27	-	71.3	-	-	-
A	2201030-4F-100	27	-	79.95	-	-	-
A	CZ-170	27	-	80	-	-	-
A	GUK-12	27	-	80	-	-	-
A	24/AK	27	-	81.75	-	-	-
A	GU1000	27	-	81.78	-	-	-
A	GU1100	27.009	-	74.6	5-153X	GU1000	HS168
A	C741	27.01	-	74.65	-	GU1100	HS186
A	C770	27.01	-	81.75	-	-	-

EUROPEAN CARS

FIG	Part No.	D(mm)	O(mm)	L(mm)	Series	GMB	GKN
A	EG30	27.02	-	70.15	K5-A590	GUA-7	HS168
A	EG40	27.02	-	74.8	K5-LBG36R	GUA-8	HS186
B	AM-12R	27.04	41.8	-	5-242X	GGL-12R	HS440
B	K1507	28	55.6	-	-	-	-
B	14RX	28.6	44.5	-	-	-	-
B	1077	28.6	49	-	-	-	-
A	AM-14R	28.6	-	66.5	5-129X	GGPL-14R	-
A	GUA-10	30	-	82.1	-	-	-
A	GU7420	30	-	82.4	-	GU7420	-
A	ZQ397	30.01	-	79.2	-	-	-
A	30.02X91.6	30.02	-	91.6	-	-	-
A	GU2200	30.188	-	92.075	5-178X	GU2200	HS182
A	GU2000	30.188	-	106.35	5-160X	GU2000	HS179
A	GU2050	30.188	-	106.35	5-160X	GU2050	HS179
A	EG60-1	30.2	-	92	EG60-1	-	-
A	C771	30.2	-	106.3	-	-	-
A	EG50	30.22	-	80.15	K5-A591	GUA-11	HS198
A	EG60	30.22	-	92.2	K5-LGB182	GUA-12	HS182
A	EG70	30.22	-	106.65	K5-A536	GUA-13	HS179
B	GU2500	31.25	46	-	5-1300X	GU2500	-
A	AM-35R	31.75	-	81.4	5-243X	GGP-35R	HS202
B	35RX	31.8	51.4	-	-	-	-
A	GUA-14	32	-	75.9	-	GUA-14	HS204
A	APO-35	32	-	76	312410	GUA-14	HS204
B	UN35073NB	34.92	73.01	-	-	-	-
A	EG80	34.92	-	106.5	K5-A538	GUA-17	HS183
A	GU2300	34.93	-	106.31	5-188X	GU2300	HS263
A	U743	35	-	96.8	-	GU7430	HS222
A	GUA-20	36	-	89	-	GUA-20	HS230
B	U730	38	57.2	-	5-1506X	GU7300	HS480
A	U744	38.03	-	105.6	-	GU7440	HS236
B	1200731	38.06	57	-	-	-	-
A	GU3500	39.675	-	115.42	-	GU3500	HS176
A	4225BF	39.675	-	115.42	-	GU3500	HS176
B	U747	42	66	-	-	GU7470	-
A	2113-65-55	42	-	119.4	-	-	-
A	U447	42.12	-	104.5	-	GU4470	-
A/I	2202Z06	43	-	136 / 140	-	-	-
A	U753	45	-	120.4	-	GU7530	HS260
I	GU4000	47.63	-	134.9	-	GU4000	HS316
A	GU9730	48	-	116	-	GU9730	K5-A623
A	U765	48	-	126	-	GU7650	-
A	U767	48.03	-	116.5	-	GU7670	-

APPLICATIONS

European Trucks

MERCEDES-BENZ

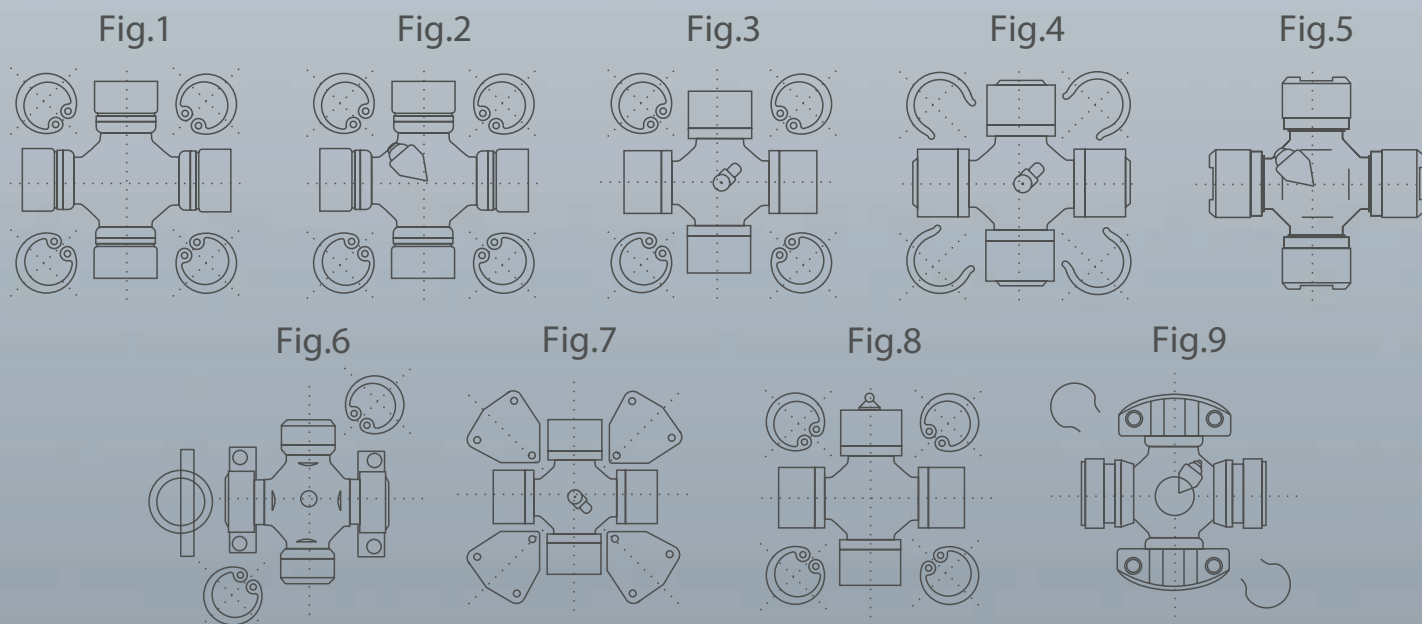


FIG	GKN NO	D(mm)	O(mm)	L(mm)	Series	Mercedes	OEM
4	HS466	28	49	-	-	1004100131 / 1114100031	1123500028 / 1804100331
3	HS222	35	-	96.8	-	304100431	304101831
4	HS480	38	57 (62)	-	-	3024100031 / 3104100031 / 3124111231 / 3854100231	3124111331 / 3224110031 / 3224110131
3	HS236	38.03	-	105.6	-	304102031	-
4	HS486	42	66.4 (72)	-	-	3174100131 / 3374010031 / 3374100031 / 3374105031	3374110031 / 3544100131 / 3854100131
3	-	42	-	106	-	6174100031	-
3	HS259	45	-	118.1	-	304102231	-
3	HS260	45	-	120.4	-	4100031 / 3174100031	3044100031
3	-	48	-	126	-	3854100731	-
3	HS284	53	-	135	186.37	3634100631 / 6204100131	3634100031 / 0004101628
3	-	57	-	152	-	3874100031	-
3	-	65	-	172	-	6454100131	-
4	-	68	-	166	-	6564100131	-
3	HS272	48.05 (48)	-	125.8 (126)	286.33	3604100232 / 3604100231 / 3814100031/3814100231 / 3854100031	3614100231 / 3854100531 / 3854100731 / 387410031
3	HS282	52.1 (52)	-	133	587.3	3354100031	-
3	HS289	57.07 (57)	-	152	587.42	3874100031 / 0004100131	7186420617000 / 6204100031

VOLVO

FIG	GKN No.	D(mm)	O(mm)	L(mm)	Series	Scania	OEM
1	HS150	23.82	-	61.3	1110	762037	-
2	HS195	27	-	74.6	1300	348472 / 1209814	38403
2	HS166	27	-	81.78	1310	231136 / 231189	231179 / 231311
1	HS176	39.675	-	115.42	1510	6852612 / 189499 / 83453	6638385 / 6621656 / 36590
7	-	44	-	126.2	-	232458	231626
3	HS380	44	-	136	300	232458 / 7231265	231626
5	HS317	49.2	-	154.7	1700	231009	231009
7	HS381	50	-	152.6	287.4	231519 / 1651032	232459
1	HS288	57.07	-	144	587.35	232540	-
7	HS289	57.07	-	152	587.42	1651229	93192570
2	HS179	30.18 (30.2)	-	106.3	1410	6852586	38464
2	HS316	47.65 (47.6)	-	135	1600	46240	6621920

SCANIA

FIG	GKN No.	D(mm)	O(mm)	L(mm)	Series	Scania	OEM
5	HS239S	38	-	148	-	294380	750614
6	HS239T	38	-	148	-	337058	264043 / 550612
1	HS244	39	-	127	-	169144 / 550614	750602
1	178258	44	-	149	-	297563 / 750612	-
3	HS380	44	-	126 (126.2)	300	550602	365913
3	HS316	47.62	-	134.9	1600	78060	750613
5	HS268S	48	-	161	-	294383	264044
3	HS381	50	-	152.6	284.4	550613	-
1	HS280	50	-	164	-	207563	366441
1	294385	57	-	161	-	294385	366437 / 366443
5	HS292S	57	-	164	-	294385	-
6	HS292T (U954)	57	-	164	-	337060	77187
1	-	65	-	190	-	386073	365901
1	HS176	37.175 (39.7)	-	115.42 (115.9)	-	750610	-
6	HS268T	48.05 (48)	-	161	1500	337059	-

DAF

FIG	GKN No.	D(mm)	O(mm)	L(mm)	Series	Scania	OEM
1	HS222	35	-	96.8	-	542635	-
1	HS236	38	-	105.8	-	314151	314851
1	HS176	39.675	-	115.42 (115.8)	1510	316340	-
1	6090057	42	-	104.5	587.15	609057	-
1	HS256	44	-	124.8	-	302155	140264

DAF

FIG	GKN No.	D(mm)	O(mm)	L(mm)	Series	DAF	OEM
1	HS266	47	-	130.9	-	586969	106829
1	HS271	48	-	116.5	587.2	507539	6.9866
1	HS278	50	-	131	-	178185	-
3	HS381	50	-	152.6	287.4	311267	605804
1	HS286	55	-	164	-	586992	-
1	HS179	30.188 (30.17)	-	106.35 (106.3)	1410	608921	-
1	HS282	52.1 (52)	-	133	587.3	264354	-
1	HS288	57.07 (57)	-	144	587.35	505698	75873606

IVECO

FIG	GKN No.	D(mm)	O(mm)	L(mm)	Series	Iveco	OEM
2	1360	27	-	81.7	-	-	1905986-5990411 / 9928022 / 93160 / 322
2	4090	30.2	-	92	-	-	8197741
2	1280	30.2	-	106.3	-	-	4655182-4675624 / 4878942-9932697-92601339 / 93158199
9	3000	33.3	-	79.3	-	-	9986818 / 4463536
2	1020	39	-	116.4	-	-	4514424-4603984 / 4703371-4685815 / 4684735-4583754-5
2	1140	39.7	-	115.8	-	-	4679190-9932700 / 9105823-8120185 / 4679796-8120185
3	2380	42	-	104.5	-	-	93159330-42480741 / 1275430
5	1400	47.6	-	135	-	-	4656653-4686733 / 4686738-4699481
3	2660	47.6	-	135.2	-	-	9981618-9982407
3	1760	48	-	116.5	-	-	42484713-2980490 / 2981717
8	2600	48	-	125.9	-	-	42485180
5	1000	49	-	135	-	-	875880-875881 / 4654827-4655900 / 4672043-4686732
5	1040	49	-	155	-	-	876044-876045 / 4582853-4656057 / 4663672-4664726 / 4672046-44097283
5	1120	49.2	-	154.7	-	-	4620151-4656683
2	2340	49.2	-	154.9	-	-	5978564
3	1740	52	-	133	-	-	93159316
3	1720	57	-	144	-	-	42481507-42491973 / 2980217
3	2620	57	-	152	-	-	93157114
2(5)	1100(2000)	59	-	167.4 (167.6)	-	-	93157124
5	1060	60	-	170.2	-	-	4021288-4556728 / 4641105-4656056 / 4674084-4683730
3	2180	65	-	172	-	-	8194583-42490052 / 93156581

APPLICATIONS

Agricultural Machineries

FIG	GMB	D(mm)	O(mm)	L(mm)	Precision	GKN	Spicer	ROCKWELL
A	GUA-1	18	-	47	-	HS108	-	-
A	GUA-2	19.02	-	52	-	-	5-170X	-
A	GUA-1	22	-	54.8	812	HS132	-	-
A	GUA-3	22.02	-	54.15	811	HS132	-	-
A	GUA-5	23.82	-	61.45	341AG	HS185	K5-A64	CPL6R-40
B	GGPL-6R	24.6	34.36	-	861	HS416	5-92X	-
A	GUA-6	24.98	-	72.1	-	-	-	-
A	GUA-7	27	-	70	813	HS168	K5-A590	-
A	GUA-8	27	-	74.8	344AG	HS186	K5-LGB36R	CPL12R
B	GGPL-12R	27.036	42	-	995	HS440	5-242X	CPL14R
A	GGPL-14R	28.6	-	66.5	880	-	5-129X	-
A	GUA-9	29	-	80	-	-	-	-
A	GUA-10	30	-	81.7	-	-	-	-
A	GUA-12	30.2	-	92	331AG	HS182	KS-LGB182	-
A	GUA-13	30.2	-	106.5	330	HS179	K5-A536	-
A	GUA-11	30.22	-	80.15	815	HS198	K5-A591	CP35R
A	GGPL-35R	31.75	-	81.4	964	HS202	5-243X	-
A	GUA-14	31.98	-	76	814	HS204	-	-
B	GUA-15	34	51.3	90	-	-	-	CP44R

FIG	GMB	D(mm)	O(mm)	L(mm)	Precision	GKN	Spicer	ROCKWELL
A	GUA-16	34	-	106.58	-	-	-	-
A	GUA-19	34.92	-	106.5	-	-	-	-
A	GUA-17	34.93	-	106.31	351AG	HS183	K5-A538	-
A	GUA-20	36.04	-	89	817	HS230	5-432X	CP55N
A	GUA-18	39.7	-	115.8	370	HS176	5-15X	-
A	GUA-21	41	-	118	-	-	-	-

Did you know?

What is the main cause of premature failure? Inadequate lubrication of its needle roller bearings

MCB universal joint has a built-in lubrication hole to allow fast and easy grease application. Manufactured using quality raw materials with one year warranty, customers can expect better service and optimum machine performance.



DISCLAIMER

MCB Bearings AB provides its catalog for general information purposes only. All efforts have been made to ensure that the contents, including but not limited to, cross references, OEM, and alternative part numbers, are accurate. The recommendations presented in this catalog are based on field experiences and any reliance is thus strictly at your own risk.

In no event will MCB Bearings AB be liable for any damages, injuries, or losses including without limitation, indirect or consequential damages, injuries, or losses, resulting from the application of the information and recommendations arising out of, or in connection with, the use of this catalog.

MCB Bearings AB owns and has the exclusive rights to this catalog. All contents, design, and graphics, in whole or in part, may not be distributed or reproduced without a prior written consent in whatever form and in whatever media.



MCB Bearings AB
www.mcbbearings.com

Distributed By